

Grand View Vinyl Railing (Acrylic Glass)

Installation Instructions

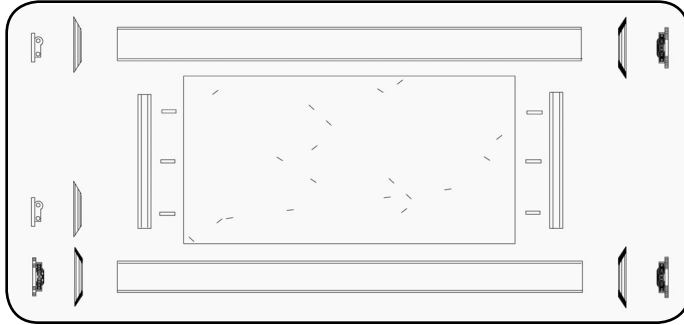


www.fairwayvinyl.com

! It is the responsibility of the installer to meet or exceed all code and safety requirements, and to obtain all required building permits. These instructions are only a guide and may not address every circumstance. The deck and railing installer should determine and implement appropriate installation techniques for each situation.

FAIRWAY Vinyl Systems shall not be held liable for improper or unsafe installations.

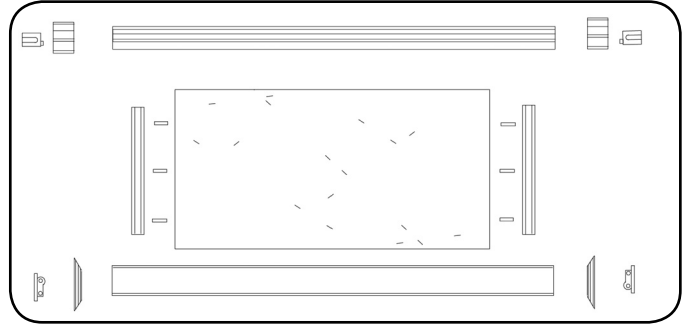
STANDARD GRAND VIEW RAIL



Standard Kit Includes:

- 2 ea. - Standard Vinyl Rail (Top & Bottom)
- 2 ea. - Standard Aluminum "H" Channel
- 4 ea. - Standard Level Mounting Bracket
- 2 ea. - Slotted Composite Balusters
- 6 ea. - 1/8" x 3/4" Rolled Pins (Inserted in Acrylic Glass Panel)
- 6 ea. - 1/4" Neoprene Pads (Applied to Aluminum Channel)
- 1 ea. - 1/4" Acrylic Glass Panel
- 1 ea. - Pack S. S. Mounting Screws

CONTOUR GRAND VIEW RAIL



Contour Kit Includes:

- 1 ea. - Contour Top Rail
- 1 ea. - Standard Vinyl Rail (Bottom Rail)
- 1 ea. - Contour Aluminum Insert
- 1 ea. - Standard Aluminum "H" Channel
- 2 ea. - Contour Level Mounting Brackets
- 2 ea. - Standard Level Mounting Bracket
- 2 ea. - Slotted Composite Balusters
- 6 ea. - 1/8" x 3/4" Rolled Pins (Inserted in Acrylic Glass Panel)
- 6 ea. - 1/4" Neoprene Pads (Applied to Aluminum Channel)
- 1 ea. - 1/4" Acrylic Glass Panel
- 1 ea. - Pack S. S. Mounting Screws

Step 1 Safety Precautions

Check all local building codes for design load requirements for railing applications. Fairway Railing is manufactured in requirements of ASTM F964-02 and is approved to meet Boca Building Code Section 61 615.8, IBC Section 160.7.7.1 and IRC Section R316, requirements pertaining to railing. Always use safety equipment when installing our maintenance-free rail system.

Step 2 Prepare Mounting Surface

Install and prepare all mounting surfaces and posts to which your new maintenance-free railing will be installed. We suggest covering wood posts with our matching-color vinyl post sleeves or wraps. Finish with one of our many styles of post caps and base trim rings.

Step 3 Mount Bottom Brackets

Determine level placement of bottom rail. This should be no greater than 4" and no less than 2 1/2" for 36" high rail. No greater than 2" for 42" high rail (below 2 1/2" use a low profile base trim ring.) Make a pencil mark where rail will be mounted. Measure up 3/8" above previous mark, square and center bottom of black bracket. Mark and pre-drill four 5/32" holes in corners of black mounting bracket. Screw bracket into place with four (4) #12 x 1 1/4" pan head screws.

Step 4 Mount Top Brackets

After bottom mounting bracket is in place, measure from bottom of bracket up (36" height: Standard railing 31 3/4" – Contour railing 31 1/4" or 42" height: Standard railing 41" - Contour railing 37 1/2") and mark with a pencil. This will be mounting mark for the bottom of the top bracket. Square and center top black mounting bracket and pre-drill four (4) 5/32" holes. Screw into place (on Standard railing use four (4) #12 x 1 1/4" - Contour railing install four (4) #10 x 2" S.S. pan head screws).

Step 5 Cut Rail to Length

Measure distance from inside black brackets for bottom rail. Remove top and bottom rail from acrylic glass panel by pulling rail off of acrylic glass panel. Remove aluminum insert from vinyl and measure the distance you need. Measure from one end (left or right) and mark. Peel off and align two (2) of the 1/4" x 1" x 2" neoprene pads for acrylic glass panel to rest on. Make sure pads are equal distance from each end (4 1/2" from end of rail). Install middle pad in the center of the rail. Cut the aluminum insert with a hack saw or power saw. Insert the aluminum back into the vinyl rail and trim vinyl rail to the length of the aluminum insert. Repeat this step with the top rail.

Step 6 Cutting Acrylic Glass Panel

Once top and bottom rails are cut, measure the distance from inside post to inside post and deduct 7 1/2". This will be the width of the acrylic glass panel. Make sure protective covering is still on acrylic glass panel before cutting. From one end (left or right) lay panel on a flat solid surface, mark and cut with a fine tooth blade. After cutting is complete, you may use a file to clean the cut edge of the acrylic glass panel. After acrylic glass panel is cut to length, remove protective covering. You will need to drill and reinstall three 1/8" x 3/4" pins. On cut end, measure 2" from top and bottom of acrylic glass panel. Now measure over (from cut edge) 13/16" and mark. This will be the center mark for 1/8" hole. Drill an 1/8" hole and install the 1/8" pins. For the middle pin, center between top and bottom pins and repeat drilling process.

Step 7 Mounting Rail to Bracket

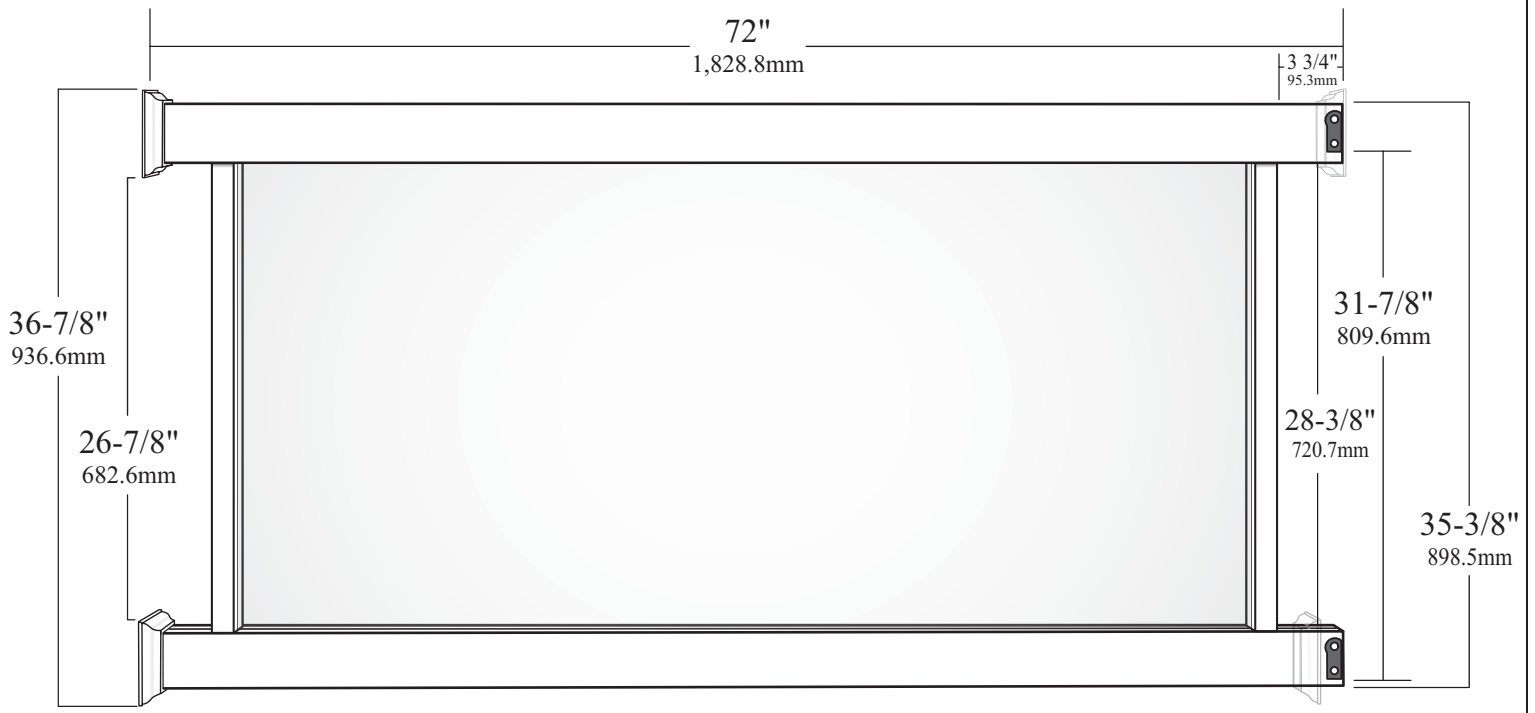
With top and bottom black brackets installed on mounting surface and top and bottom rails cut to length, you are ready to install railing to black mounting brackets. Set acrylic glass panel in slot of bottom rail, making sure you have an even spacing on both ends of rail. Slide balusters over the ends of acrylic glass panel with 1/8" pins seated inside of baluster. You should have equal distance on both ends from edge of baluster to end of rail. Install top rail same as bottom rail. With even spacing on both ends, insert 1/4" vinyl gasket in 1/4" slot on both top and bottom rails. Using a rope or nylon strap, wrap around rail section and secure. Slide mounting bracket trim ring covers on ends of railing. Measure the distance from bottom rail to finished deck surface and cut (2) two blocks. With blocks in place, set rail section into brackets. Using #10 x 1" self tapping screw, install one (1) screw per side of mounting bracket (8 screws per section). Slide trim ring over black mounting bracket and snap into place.

Step 8 Cleanup

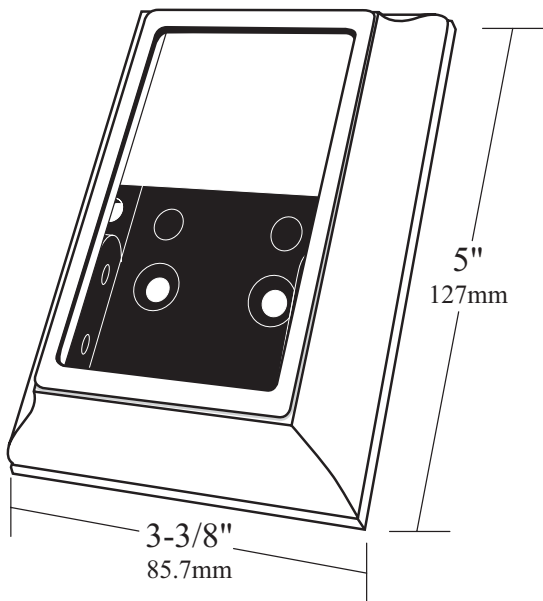
Your job is now complete. If your railing has any loose dirt on it from installation, simply hose it off or wipe with a soft cloth.

On **Vinyl Railing**, remove any stubborn dirt or stains using Fairway Vinyl Cleaner or "0000" steel wool.

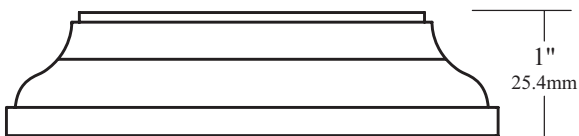
NOTE: Please take caution when cleaning the acrylic glass panel. Some household cleaners contain ingredients that are harmful to the acrylic glass panel. We recommend using a solution of warm water and liquid detergent with a soft cloth for cleaning.



Standard Level Mounting Bracket

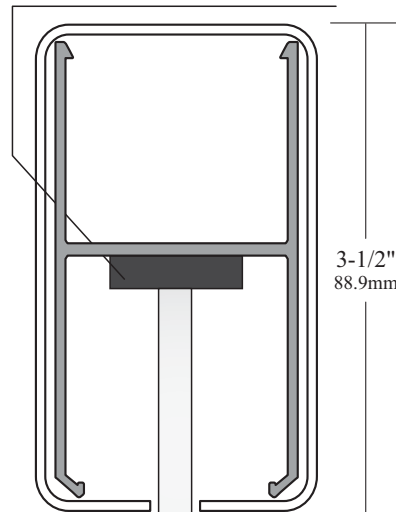


Standard Level Mounting Bracket
(Top View)



Standard 2" x 3-1/2" Rail
w/Aluminum Insert
(Top & Bottom Rails)

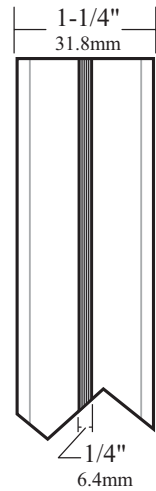
1/4" x 1" Neoprene Pad
6.4mm x 25.4mm



1/4" Acrylic Glass Panel
6.4mm

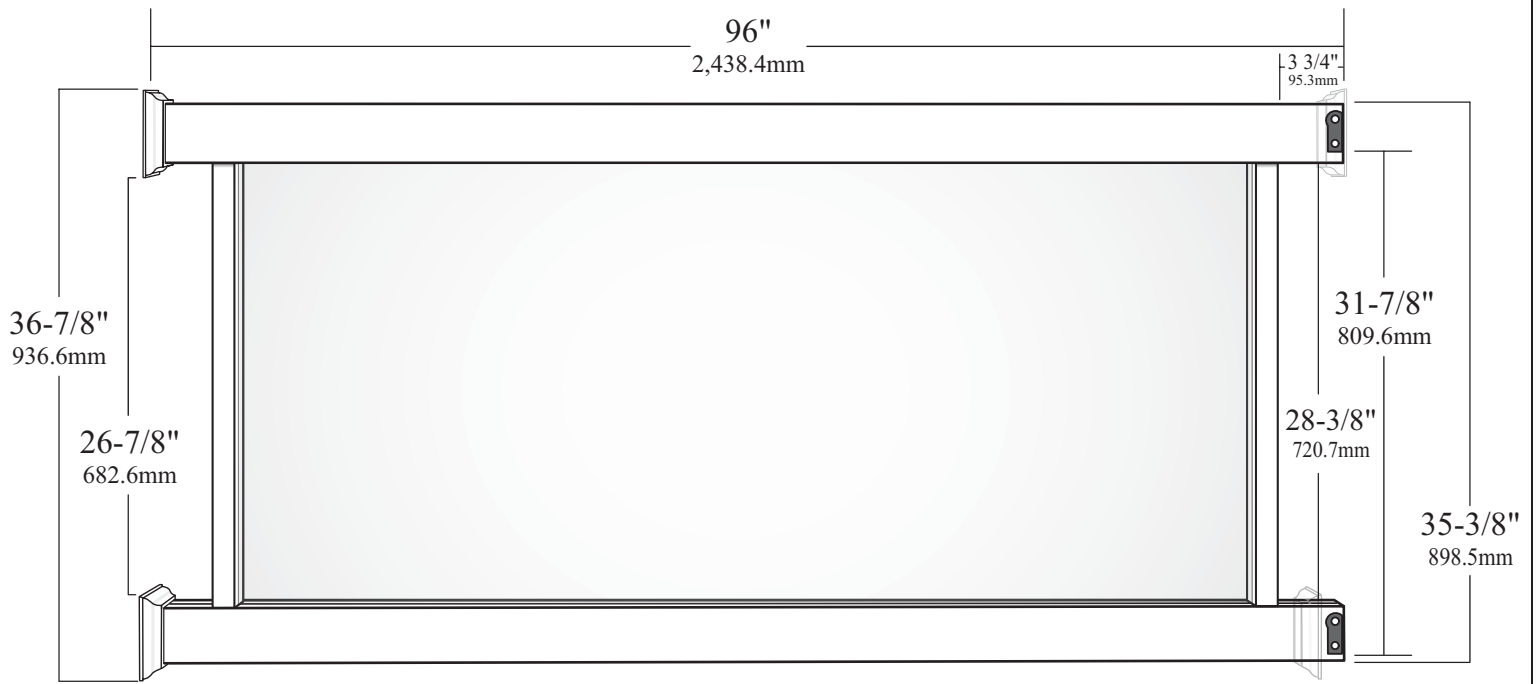
Trim Stiles

1-1/4" x 1-1/4" x 31-3/4"
31.8mm x 31.8mm x 806.5mm
(Left and Right
Glass Panel Trim Pieces)

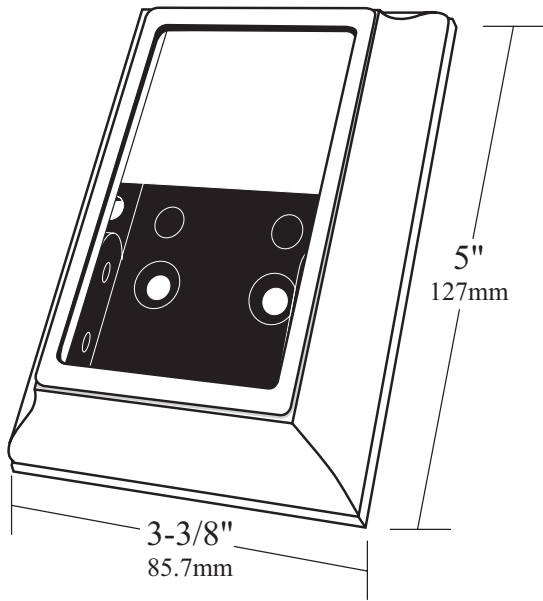


| | | | | | |
|---|--------|---|-----------|-------|---------|
| DOCUMENT TITLE: | | 6' Level Standard Grand View - 36" height | | | |
| This drawing is the property of Fairway Vinyl Systems. Any hard copy of this drawing may not be current. This document and/or images contained within may not be reproduced in publication format without express written consent of Fairway Vinyl Systems. Drawings may not be to scale. | | | | | |
| FAIRWAY VINYL SYSTEMS | | | | | |
| P.O. Box 37 Mount Joy, Pa 17552 | | | | | |
| UCM inch/mm | REF# | VSGV 408000 P1 | REV | 1 | |
| SCALE: | SHEET# | 1 of 1 | DRAWN BY: | DATE: | 7-15-08 |
| | | | FVS | | |

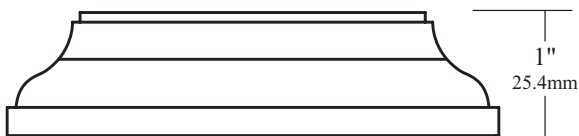
Dimensions and tolerances contained on drawings and figures are for reference only and may not encompass total allowable and approved dimensional variations.



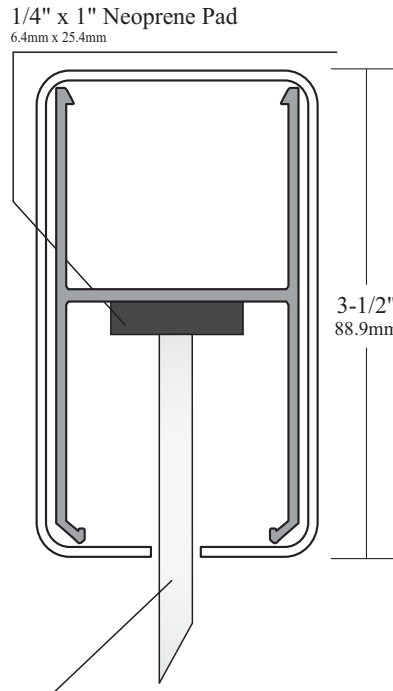
Standard Level Mounting Bracket



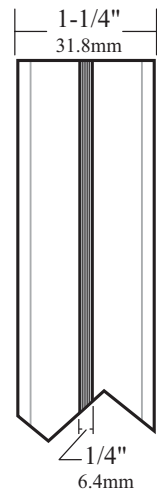
Standard Level Mounting Bracket
(Top View)



Standard 2" x 3-1/2" Rail
w/Aluminum Insert
(Top & Bottom Rails)

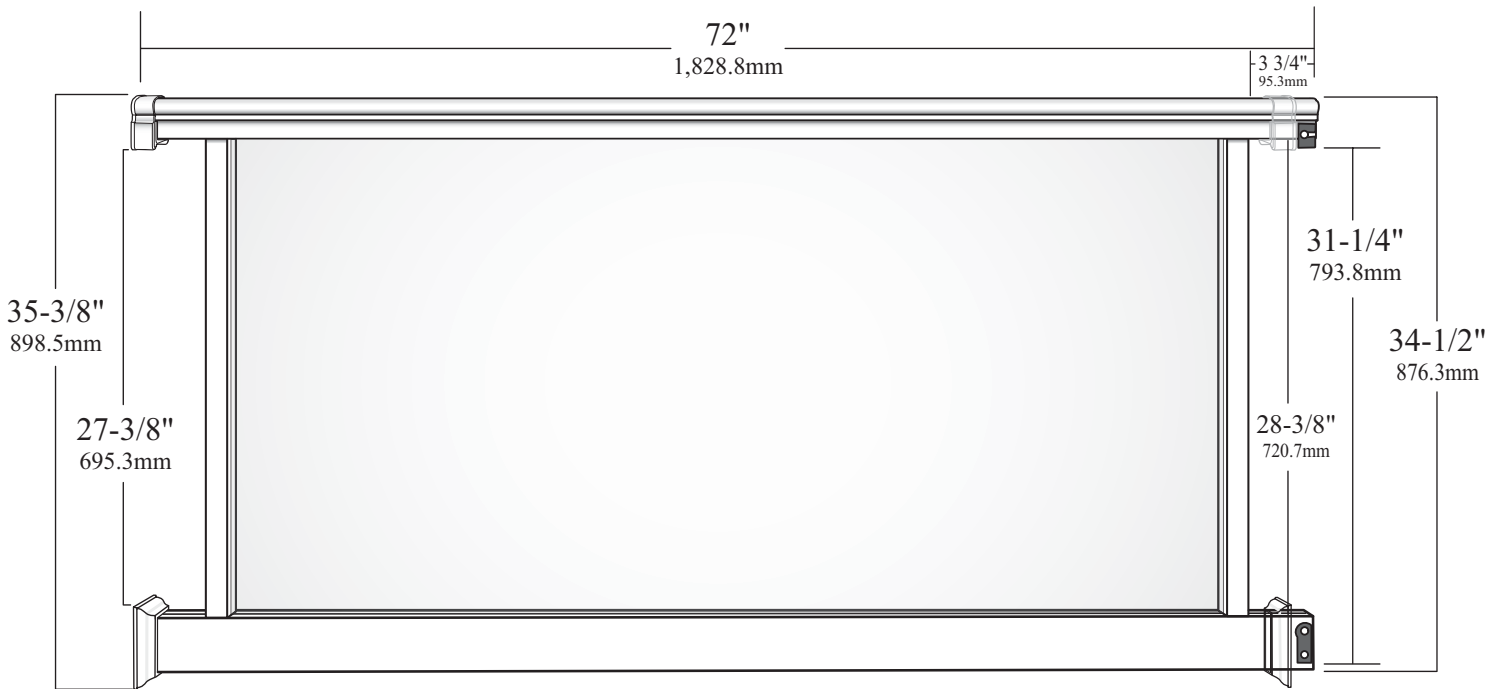


Trim Stiles
1-1/4" x 1-1/4" x 31-3/4"
31.8mm x 31.8mm x 806.5mm
(Left and Right
Glass Panel Trim Pieces)

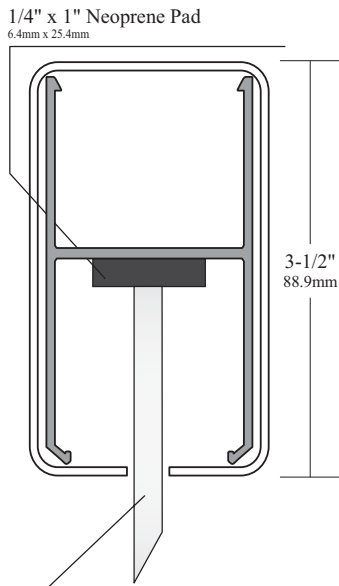


| | | | | | |
|---|--------|---|----------|------|---------|
| DOCUMENT TITLE | | 8' Level Standard Grand View - 36" height | | | |
| This drawing is the property of Fairway Vinyl Systems. Any hard copy of this drawing may not be current. This document and or images contained within may not be reproduced in publication format without express written consent of Fairway Vinyl Systems. Drawings may not be to scale. | | | | | |
| FAIRWAY VINYL SYSTEMS | | | | | |
| P.O. Box 37 Mount Joy, Pa 17552 | | | | | |
| UCM inch/mm | REF# | VSGV 408002 P1 | REV | 1 | |
| SCALE | SHEET# | 1 of 1 | DRAWN BY | DATE | 7-15-08 |
| | | | EVS | | |

Dimensions and tolerances contained on drawings and figures are for reference only and may not encompass total allowable and approved dimensional variations.

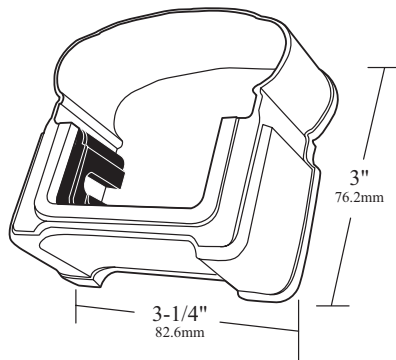


Standard 2" x 3-1/2" Rail
w/Aluminum Insert
(Bottom Rails)

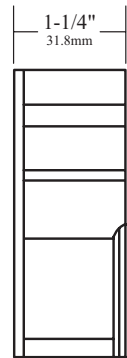


1/4" Acrylic Glass Panel
6.4mm

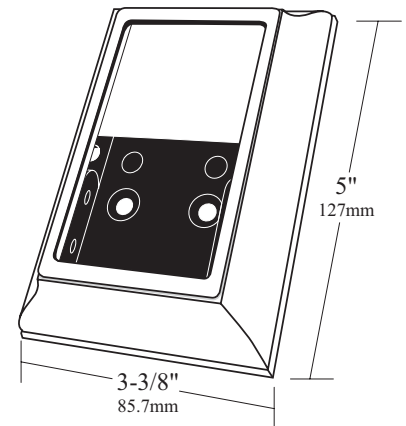
Contour Level Mounting Bracket



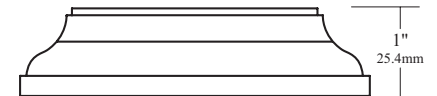
Contour Level Mounting Bracket
(Side View)



Standard Level Mounting Bracket

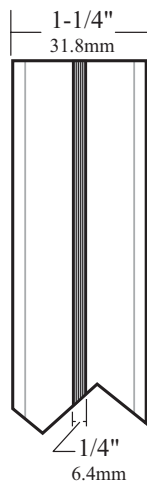


Standard Level Mounting Bracket
(Top View)



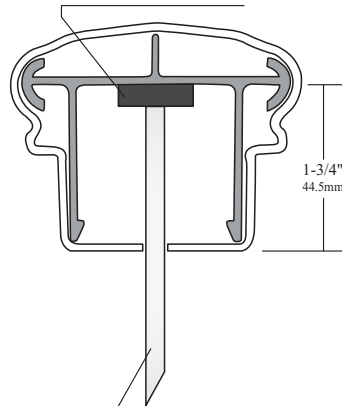
Trim Stiles

1-1/4" x 1-1/4" x 31-3/4"
31.8mm x 31.8mm x 806.5mm
(Left and Right
Glass Panel Trim Pieces)



Contour Top Rail
w/Aluminum Insert

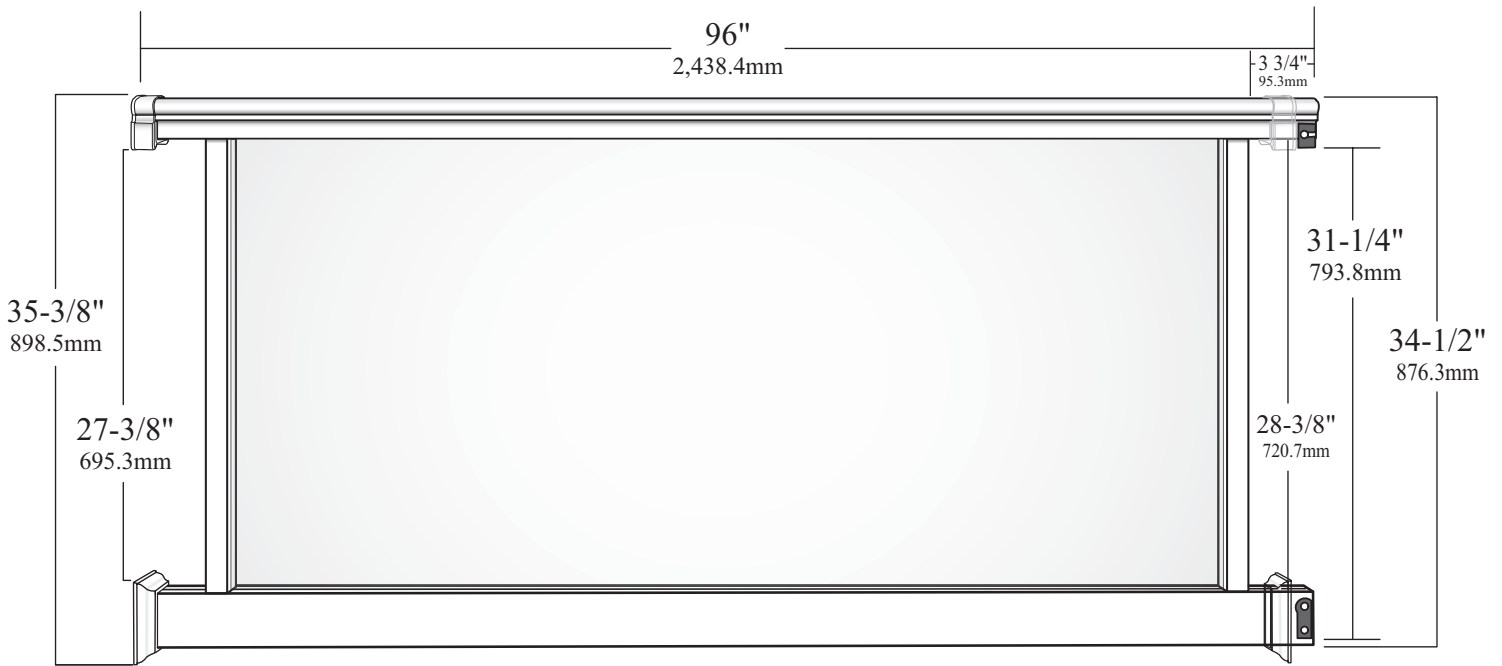
1/4" x 1" Neoprene Pad
6.4mm x 25.4mm



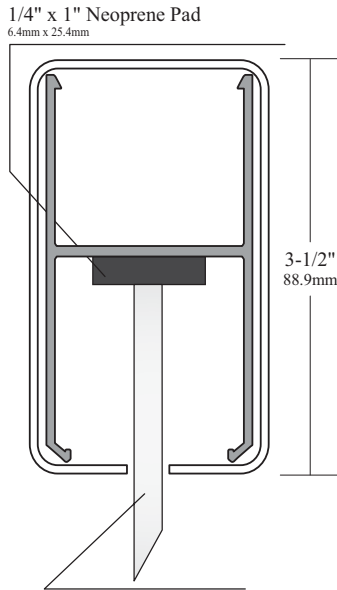
1/4" Acrylic Glass Panel
6.4mm

| | | | |
|---|--------|----------------|------------------------------|
| DOCUMENT TITLE: | | | |
| 6' Level Contour Grand View - 36" height | | | |
| This drawing is the property of Fairway Vinyl Systems. Any hard copy of this drawing may not be current. This document and or images contained within may not be reproduced in publication format without express written consent of Fairway Vinyl Systems. Drawings may not be to scale. | | | |
| FAIRWAY VINYL SYSTEMS | | | |
| P.O. Box 37 Mount Joy, Pa 17552 | | | |
| UCM inch/mm | REF# | VSGV 408001 P1 | REV 1 |
| SCALE | SHEET# | 1 of 1 | DRAWN BY DATE EVS 7-15-08 |

Dimensions and tolerances contained on drawings and figures are for reference only and may not encompass total allowable and approved dimensional variations.

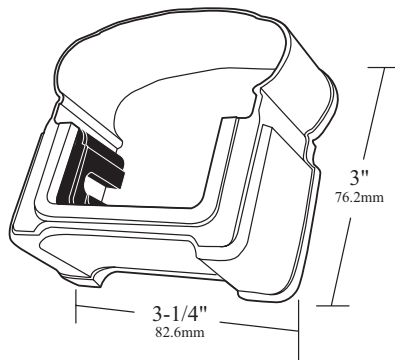


Standard 2" x 3-1/2" Rail
w/Aluminum Insert
(Bottom Rails)



1/4" Acrylic Glass Panel
6.4mm

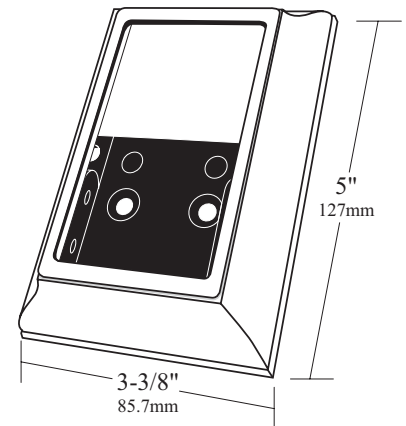
Contour Level Mounting Bracket



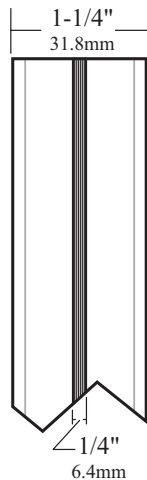
Contour Level Mounting Bracket
(Side View)



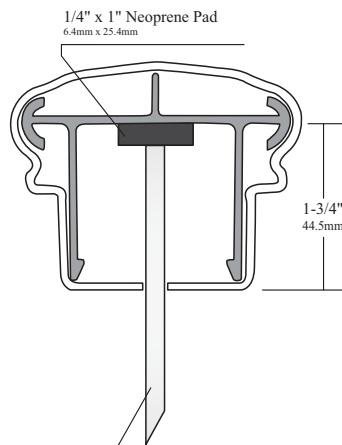
Standard Level Mounting Bracket



Trim Stiles
1-1/4" x 1-1/4" x 31-3/4"
31.8mm x 31.8mm x 806.5mm
(Left and Right
Glass Panel Trim Pieces)

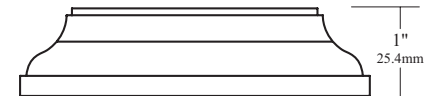


Contour Top Rail
w/Aluminum Insert



1/4" Acrylic Glass Panel
6.4mm

Standard Level Mounting Bracket
(Top View)



| | | | |
|---|--------|----------------|------------------------------|
| DOCUMENT TITLE: | | | |
| 8' Level Contour Grand View - 36" height | | | |
| This drawing is the property of Fairway Vinyl Systems. Any hard copy of this drawing may not be current. This document and or images contained within may not be reproduced in publication format without express written consent of Fairway Vinyl Systems. Drawings may not be to scale. | | | |
| FAIRWAY VINYL SYSTEMS | | | |
| P.O. Box 37 Mount Joy, Pa 17552 | | | |
| UCM inch/mm | REF# | VSGV 408003 P1 | REV 1 |
| SCALE | SHEET# | 1 of 1 | DRAWN BY DATE EVS 7-15-08 |

Dimensions and tolerances contained on drawings and figures are for reference only and may not encompass total allowable and approved dimensional variations.