

VINYL RAILING

LEVEL INSTALLATION GUIDE

! It is the responsibility of the installer to meet or exceed all code and safety requirements, and to obtain all required building permits. These instructions are only a guide and may not address every circumstance. The installer should determine and implement appropriate installation techniques for each situation. **The manufacturer shall not be held liable for improper or unsafe installations.**

909927

Step 1

Review all local building codes.
Wear proper safety equipment.

Step 2

Plumb all posts or mounting surfaces, install optional post trim at this time.
Determine required bottom rail height from deck surface to bottom of rail based on local building codes.
Deduct 1/8" and mark post with a pencil.
Place bottom of bottom bracket on this line, centered on post.
Install bracket with three (3) #10 x 1-1/2" screws.
Repeat this step on other post.

Step 3

Measure distance between finished posts or mounting surfaces.
Deduct 3/4" from total length to allow for mounting brackets.
Mark bottom rail to correct length.
Ensure there is equal & maximum distance from baluster holes on both ends.
Cut bottom rail and aluminum fill to length.
Cut top rail the same, ensuring baluster holes line up.
NOTE: Ensure bottom aluminum channel is inserted into rail with the DEEP SIDE of channel facing the BALUSTER SIDE of rail.

Step 4

After cutting, turn bottom rail over with baluster holes facing downward.
Measure distance where bottom rail will set in bottom bracket to finished deck surface.
Add 7/8" and cut 1-3/8" x 6" crush block (supplied) to correct length.
Insert crush block into routed hole on bottom rail.
NOTE: To limit side movement, we suggest drilling a 1/8" hole 1/2" up from bottom of rail, centered on crush block, and installing one (1) #8 x 3/4" white head screw (supplied) through side of rail into crush block. Ensure crush block is seated against aluminum channel.

Step 5

Place bottom rail, crush block down, into bottom brackets on posts.
Ensure crush block is the correct height, making contact with the deck.
Install two (2) #8 x 3/4" self-drilling screws through holes in both sides of each bracket, securing bottom rail in place.

Step 6

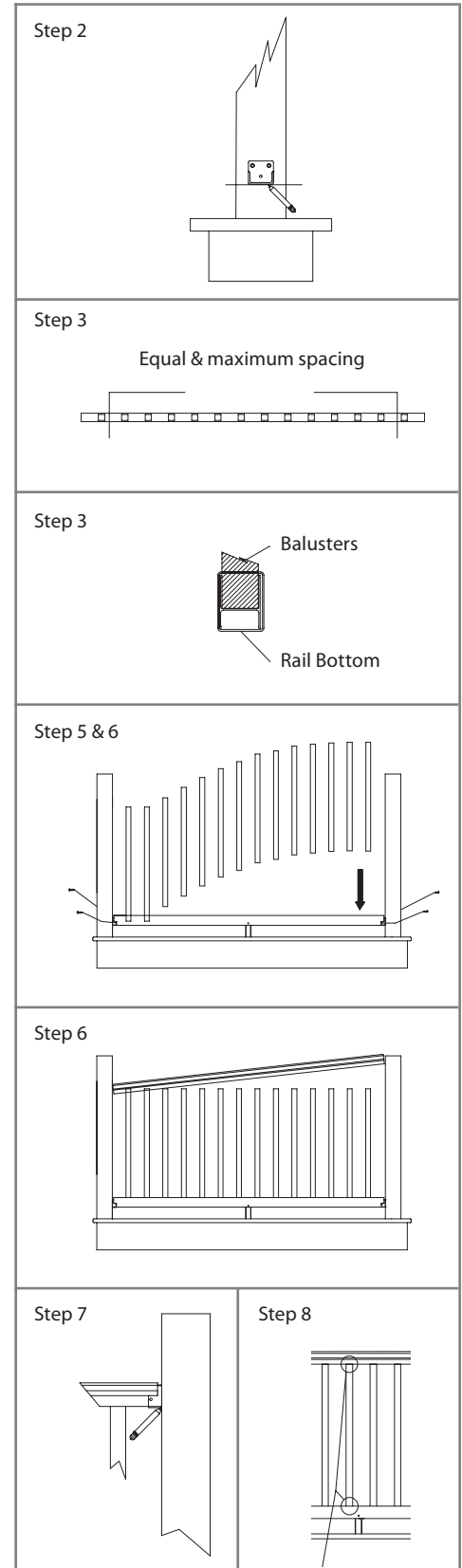
Insert balusters into bottom rail.
Place top rail onto balusters, starting from one end.

Step 7

With top rail seated on balusters, slide a bracket into position on end of top rail and mark position.
Remove bracket and push top rail to the side and install top bracket with three (3) #10 x 1-1/2" screws.
Repeat on other side.

Step 8

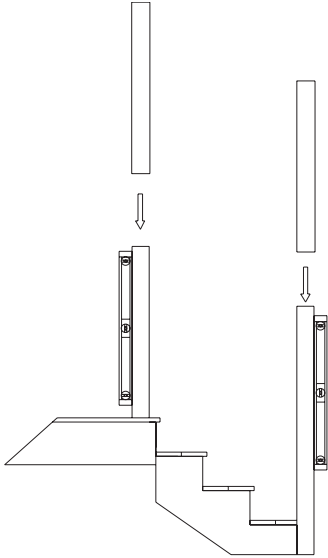
Set top rail into brackets and install two (2) #8 x 3/4" self-drilling screws through holes in both sides of each bracket, securing top rail in place.
Carefully snap bracket covers into place over brackets.
Adjust post height, if necessary, and install post caps with PVC glue.
NOTE: For additional security of your railing, you may elect to use the two (2) remaining and provided #10 x 3/4" screws using the following steps. Make certain balusters are inserted against aluminum inserts. At the center baluster, measure up from bottom of Top Rail 1/2" at center of baluster and install one (1) #10 x 3/4" screw through side of rail into baluster. Next, measure down, from top of the Bottom Rail 1/2" at center of the same baluster and install one (1) #10 x 3/4" screw through side of rail into the baluster.



VINYL RAILING STAIR INSTALLATION GUIDE

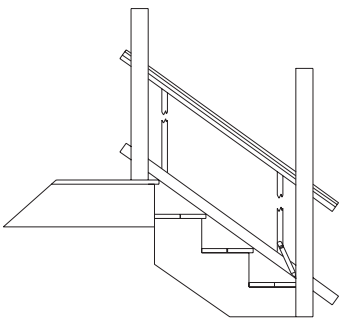
LANDMARKE

! It is the responsibility of the installer to meet or exceed all code and safety requirements, and to obtain all required building permits. These instructions are only a guide and may not address every circumstance. The installer should determine and implement appropriate installation techniques for each situation. **The manufacturer shall not be held liable for improper or unsafe installations.**

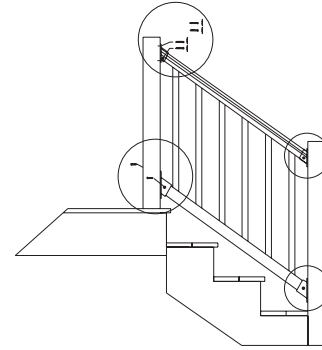


Step 1
Review all local building codes.
Wear proper safety equipment.

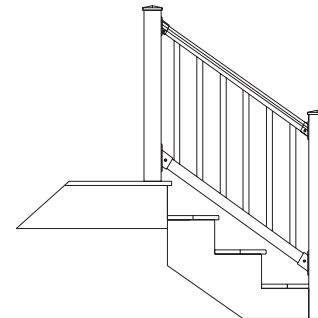
Step 2
Plumb mounting post.
Sleeve mounting post. If using a one-piece base trim ring, be sure to install before sleeve.



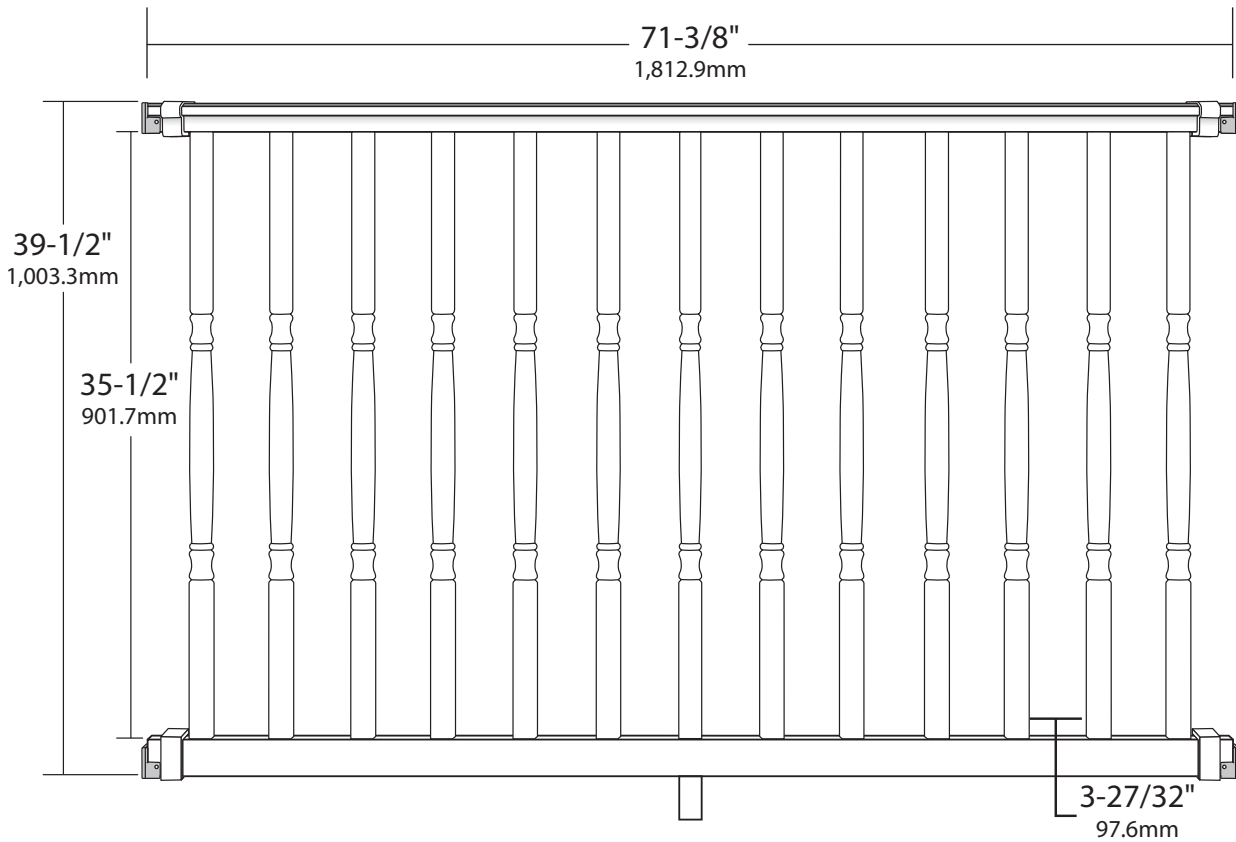
Step 3
NOTE: See local building codes for height and space limitations.
Lay bottom rail against post resting on stair and deck nosing. Balance out spacing between post and closest baluster with equal and maximum distance. Mark bottom rail where it intersects with posts (Top & Bottom).
If posts are plumb, top rail will be the same length. Make certain spacing matches bottom rail and mark. Cut rails with a saw. You may cut both vinyl and aluminium at the same time.



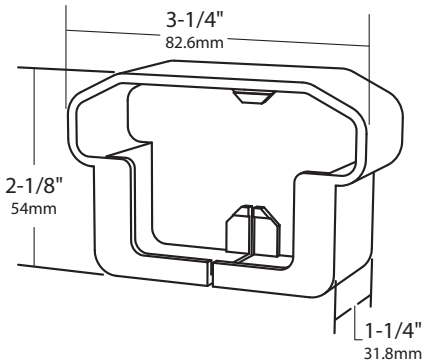
Step 4
With rails cut to length, slide mounting bracket on rail ends. Set bottom rail between posts, adjust height between rail and nosing and center flange on post. Install four (4) #10 x 1-5/8" S.S. screws in both mounting brackets.
Insert balusters in pre-routed holes in bottom rail. NOTE: in some cases, it may be necessary to cut out some of the mounting bracket flange if covering the baluster hole.
Set top rail between posts and insert balusters in matching holes on bottom rail. (Start at the bottom of stair run and work up)
With all balusters inserted, center mounting flange on post and install screws same as bottom brackets.
With all mounting screws installed, snap screw covers over screw holes. Next, install two (2) per bracket, #10 x 3/4" self drilling painted head screws through the side of the bracket (Top & Bottom rails) into the rail to lock in place. Make certain baluster spacing is equal before installing.



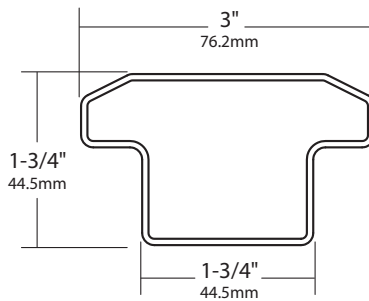
Step 5
With rail mounted in place, measure and mark post sleeves. Cut post to height with a saw and clean edge of cut. Apply a small bead of silicone to the inside edge of post cap and install on top of sleeve (let set 12 hours for adhesive to cure).



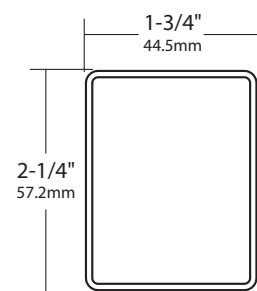
Top Rail Bracket Cover



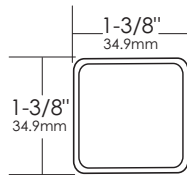
Top Rail Cutaway



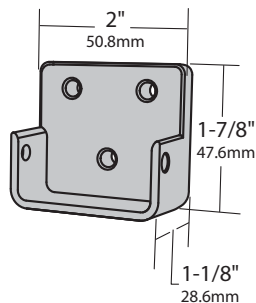
Bottom Rail Cutaway



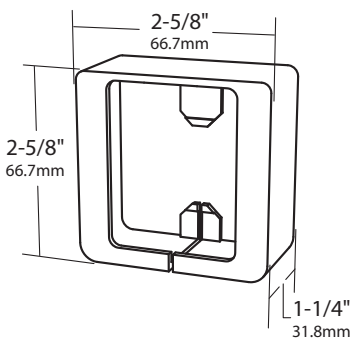
1-3/8" x 1-3/8" x 38-1/2"
34.9mm 34.9mm 977.9mm
Turned Baluster



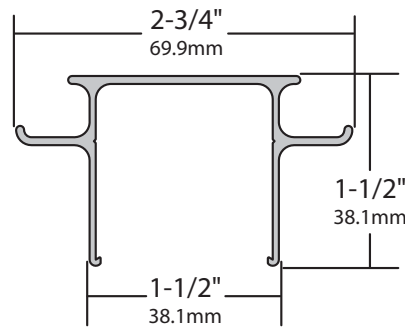
Die Cast Mounting Bracket
(Same Bracket for Both Top & Bottom Rail)



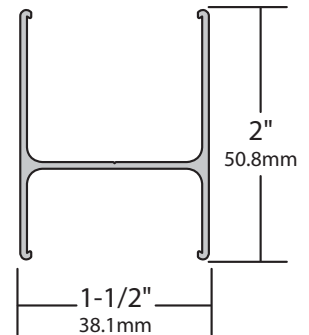
Bottom Rail Bracket Cover



Top Rail Aluminum Insert



Bottom Rail Aluminum Insert

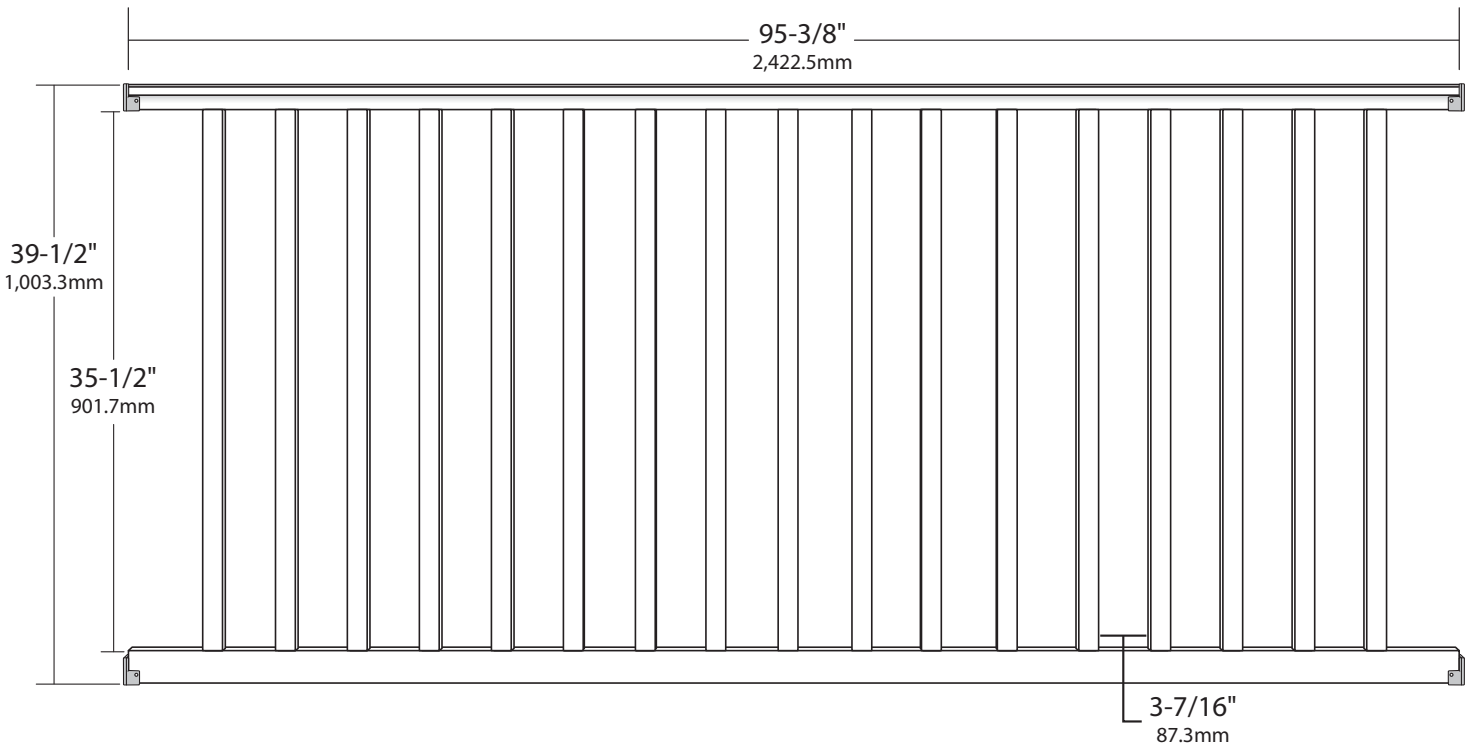


DOCUMENT TITLE: 6' Level Vinyl Rail Kit w/ Turned Balusters (42" Rail Height)

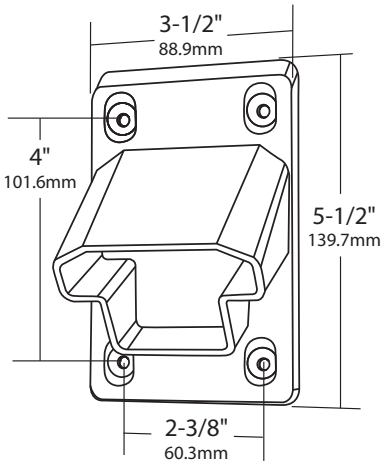
This drawing is the property of Tuscan Manufacturing.
Any hard copy of this drawing may not be current.
This document and or images contained within may not be reproduced in publication format without express written consent of Tuscan Manufacturing. Drawings may not be to scale.

LANDMARKE			
P.O. Box 37 Mount Joy, Pa 17552			
UOM inch/mm	REF# 400600 & 400601	REV	
SCALE	SHEET# 1 of 1	DRAWN BY A/H	DATE 2/22/10

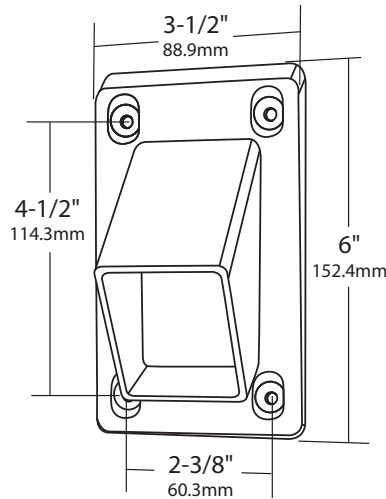
Dimensions and tolerances contained on drawings and figures are for reference only and may not encompass total allowable and approved dimensional variations.



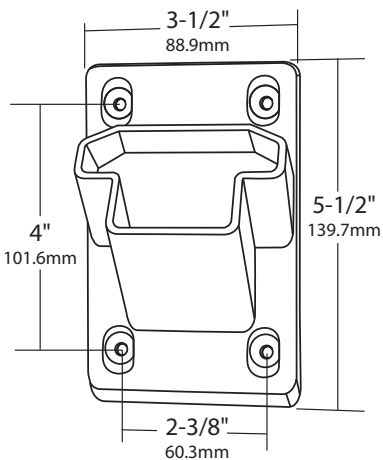
Top Rail Stair Bracket
(Top of Stair Run)



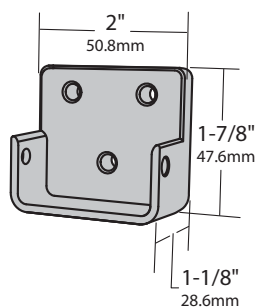
Bottom Rail Stair Bracket
(Same Bracket for Both Top & Bottom)



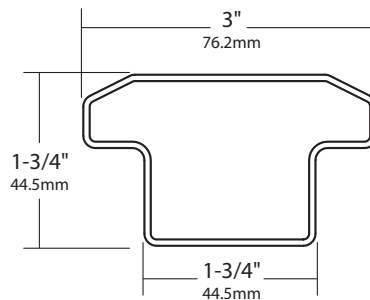
Top Rail Stair Bracket
(Bottom of Stair Run)



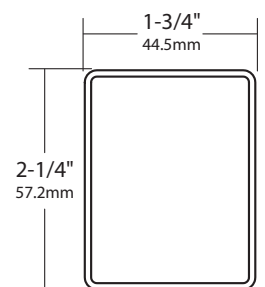
Die Cast Mounting Bracket
(Same Bracket for Both Top & Bottom Rail)



Top Rail Cutaway

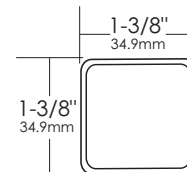


Bottom Rail Cutaway

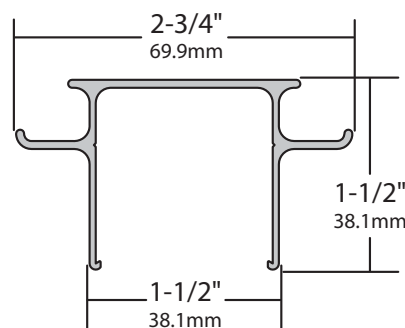


1-3/8" x 1-3/8" x 38-1/2"
34.9mm 34.9mm 977.9mm

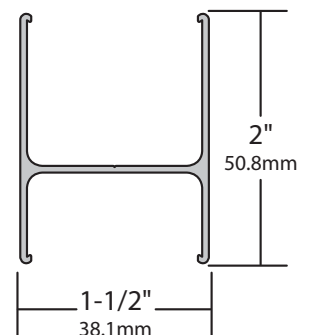
Square Baluster



Top Rail Aluminum Insert

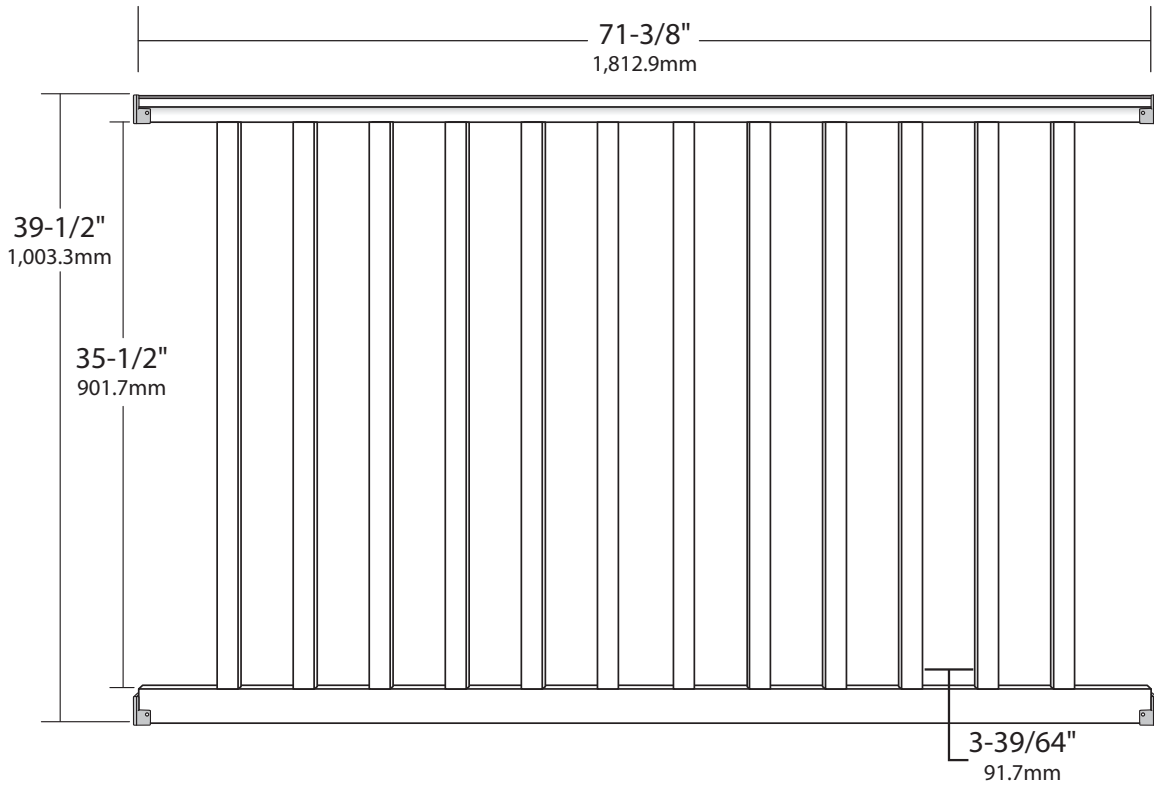


Bottom Rail Aluminum Insert

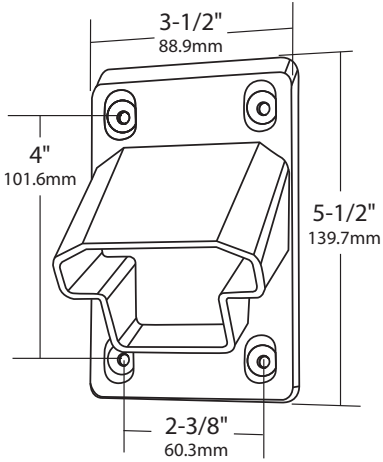


Dimensions and tolerances contained on drawings and figures are for reference only and may not encompass total allowable and approved dimensional variations.

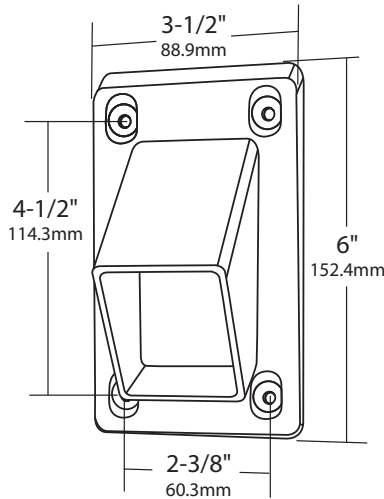
DOCUMENT TITLE:		8' Stair Vinyl Rail Kit w/Square Balusters (42" Rail Height)			
This drawing is the property of Tuscan Manufacturing. Any hard copy of this drawing may not be current.					
LANDMARKE					
P.O. Box 37 Mount Joy, Pa 17552					
UOM	REF#	400695 & 400696	REV		
SCALE	SHEET#	1 of 1	DRAWN BY	DATE	2/22/10



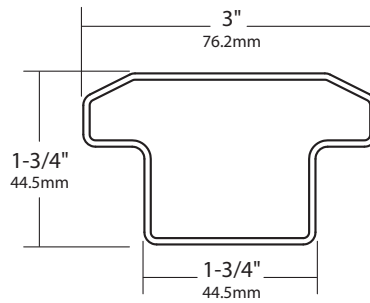
Top Rail Stair Bracket
(Top of Stair Run)



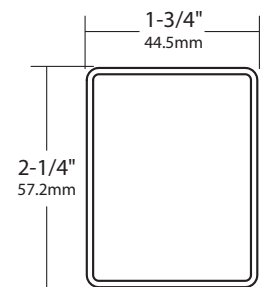
Bottom Rail Stair Bracket
(Same Bracket for Both Top & Bottom)



Top Rail Cutaway

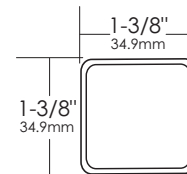


Bottom Rail Cutaway

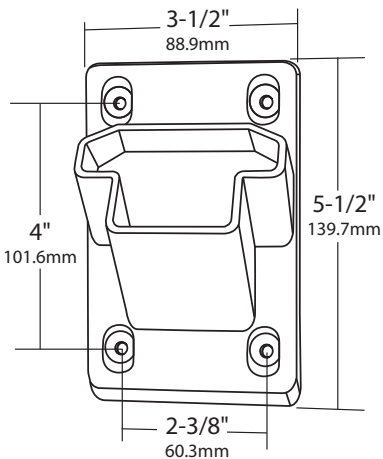


1-3/8" x 1-3/8" x 38-1/2"
34.9mm x 34.9mm x 977.9mm

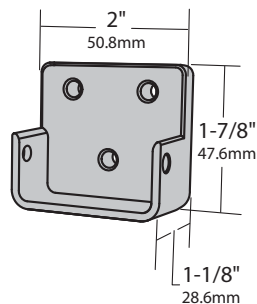
Square Baluster



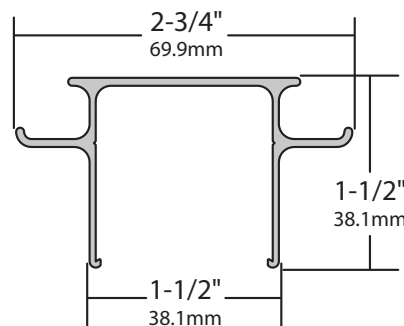
Top Rail Stair Bracket
(Bottom of Stair Run)



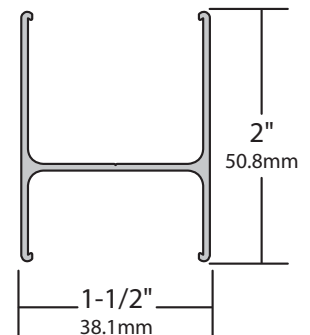
Die Cast Mounting Bracket
(Same Bracket for Both Top & Bottom Rail)



Top Rail Aluminum Insert

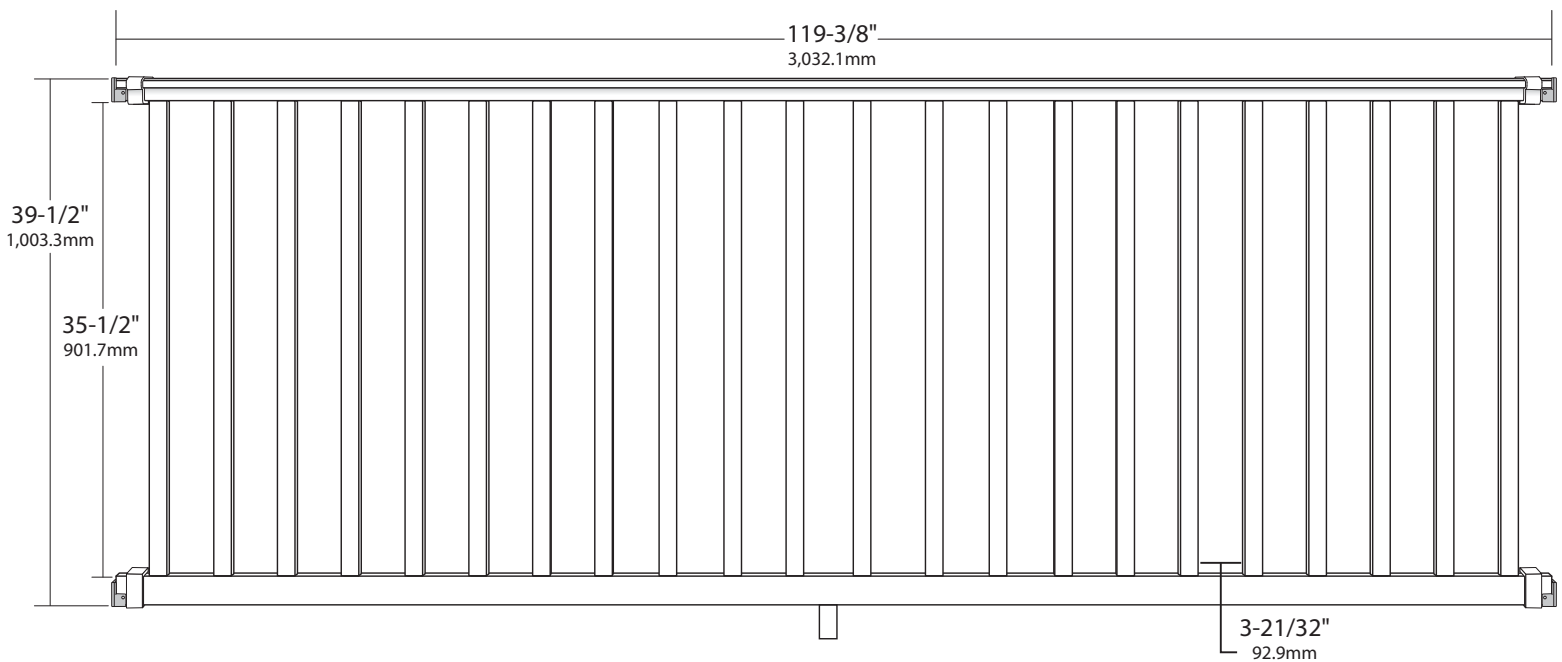


Bottom Rail Aluminum Insert

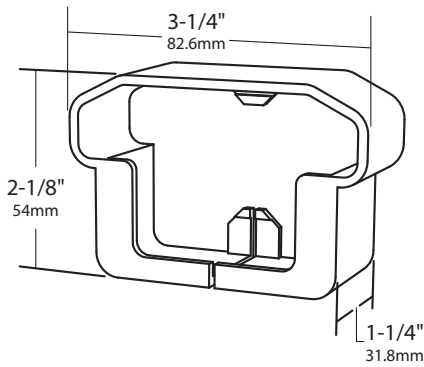


Dimensions and tolerances contained on drawings and figures are for reference only and may not encompass total allowable and approved dimensional variations.

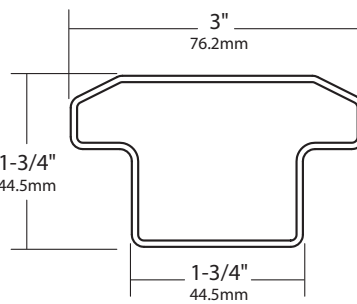
DOCUMENT TITLE:		6' Stair Vinyl Rail Kit w/Square Balusters (42" Rail Height)			
This drawing is the property of Tuscan Manufacturing. Any hard copy of this drawing may not be current. This document and or images contained within may not be reproduced in publication format without express written consent of Tuscan Manufacturing. Drawings may not be to scale.					
		LANDMARKE			
		P.O. Box 37 Mount Joy, Pa 17552			
UOM	REF#	400690 & 400691		REV	
SCALE	SHEET#	1 of 1	DRAWN BY	DATE	2/22/10



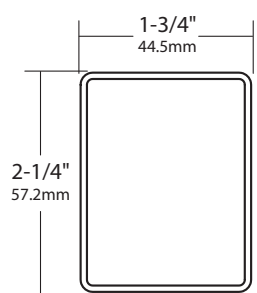
Top Rail Bracket Cover



Top Rail Cutaway

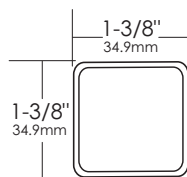


Bottom Rail Cutaway

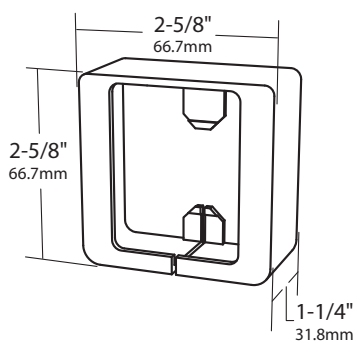


1-3/8" x 1-3/8" x 38-1/2"
34.9mm 34.9mm 977.9mm

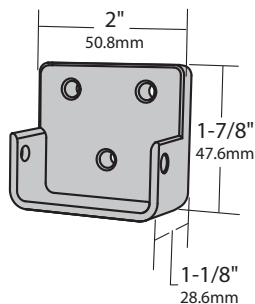
Square Baluster



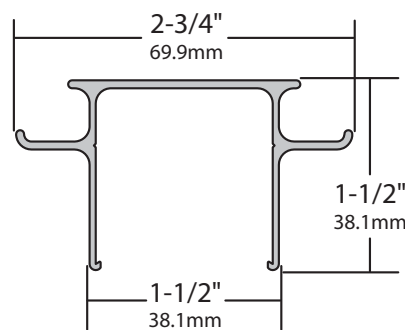
Bottom Rail Bracket Cover



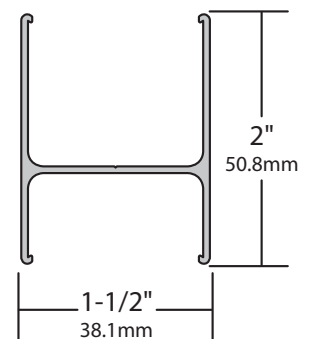
Die Cast Mounting Bracket
(Same Bracket for Both Top & Bottom Rail)



Top Rail Aluminum Insert

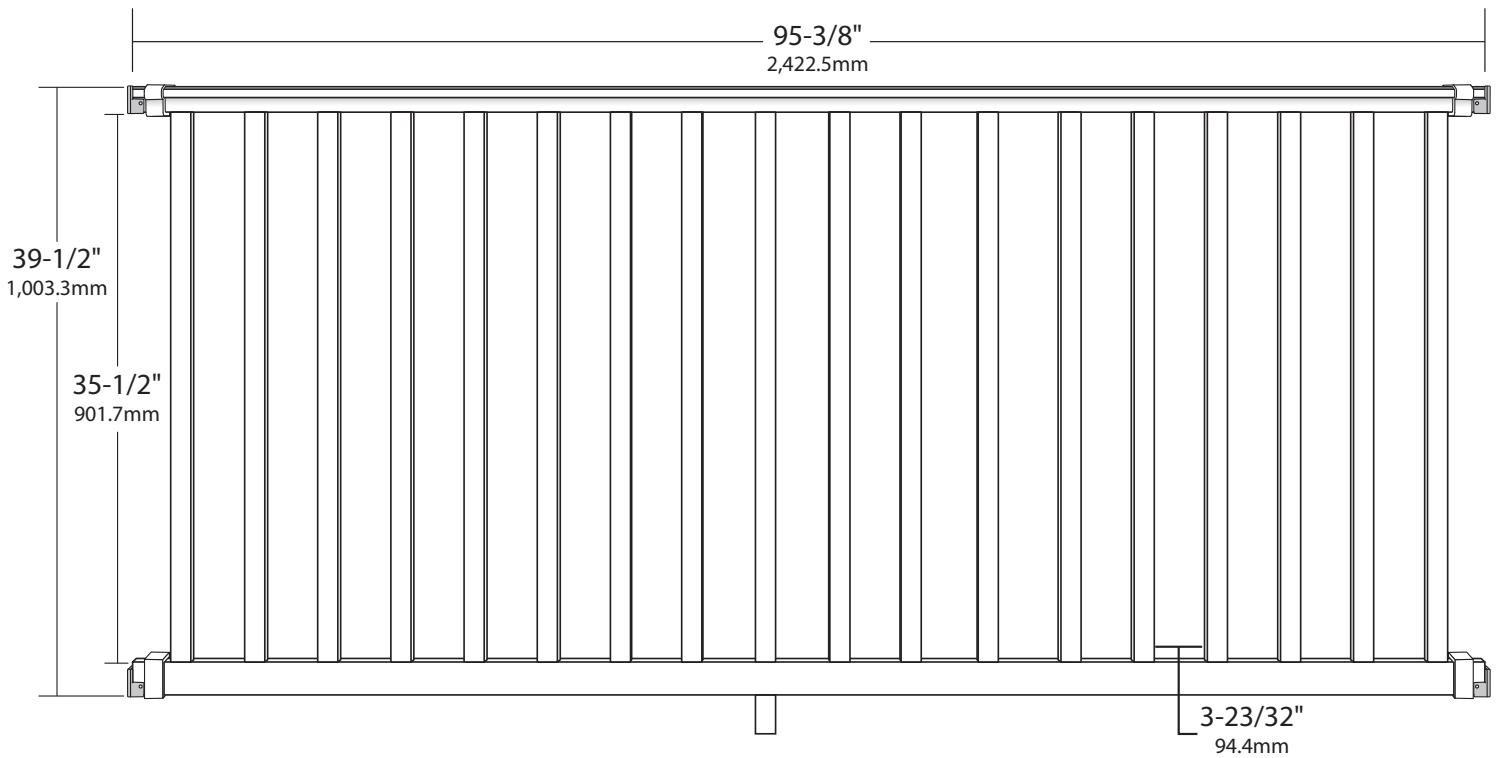


Bottom Rail Aluminum Insert

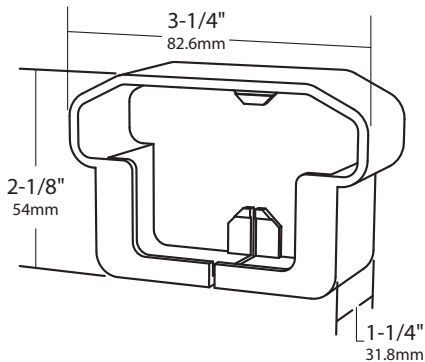


Dimensions and tolerances contained on drawings and figures are for reference only and may not encompass total allowable and approved dimensional variations.

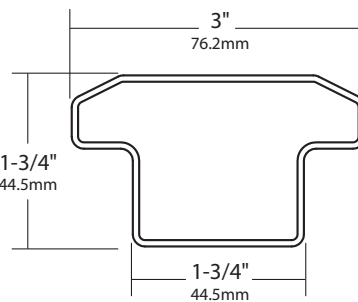
DOCUMENT TITLE:		10' Level Vinyl Rail Kit w/Square Balusters (42" Rail Height)			
This drawing is the property of Tuscan Manufacturing. Any hard copy of this drawing may not be current.					
LANDMARKE					
P.O. Box 37 Mount Joy, Pa 17552					
UOM #/inch/mm	REF#	400685 & 400686	REV		
SCALE	SHEET#	1 of 1	DRAWN BY	DATE	2/18/10



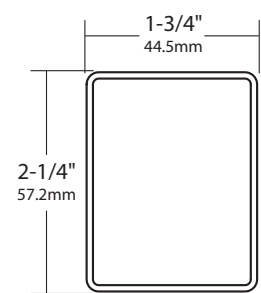
Top Rail Bracket Cover



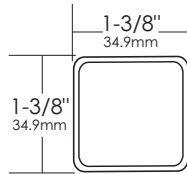
Top Rail Cutaway



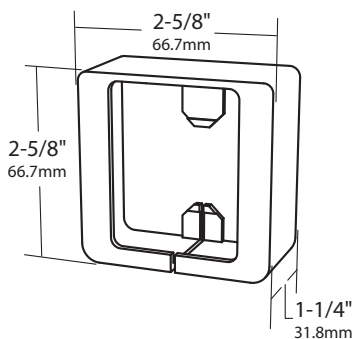
Bottom Rail Cutaway



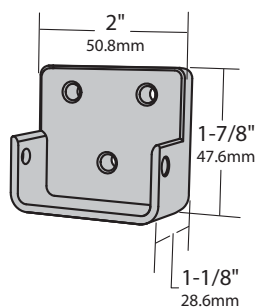
1-3/8" x 1-3/8" x 38-1/2"
34.9mm 34.9mm 977.9mm
Square Baluster



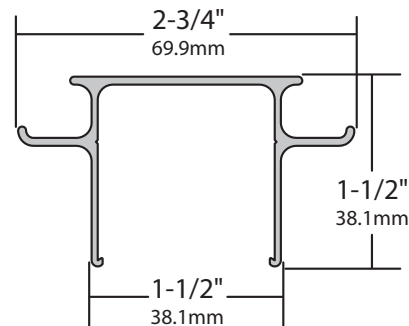
Bottom Rail Bracket Cover



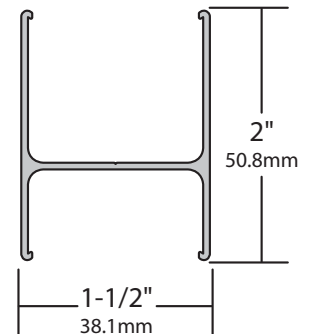
Die Cast Mounting Bracket
(Same Bracket for Both Top & Bottom Rail)



Top Rail Aluminum Insert

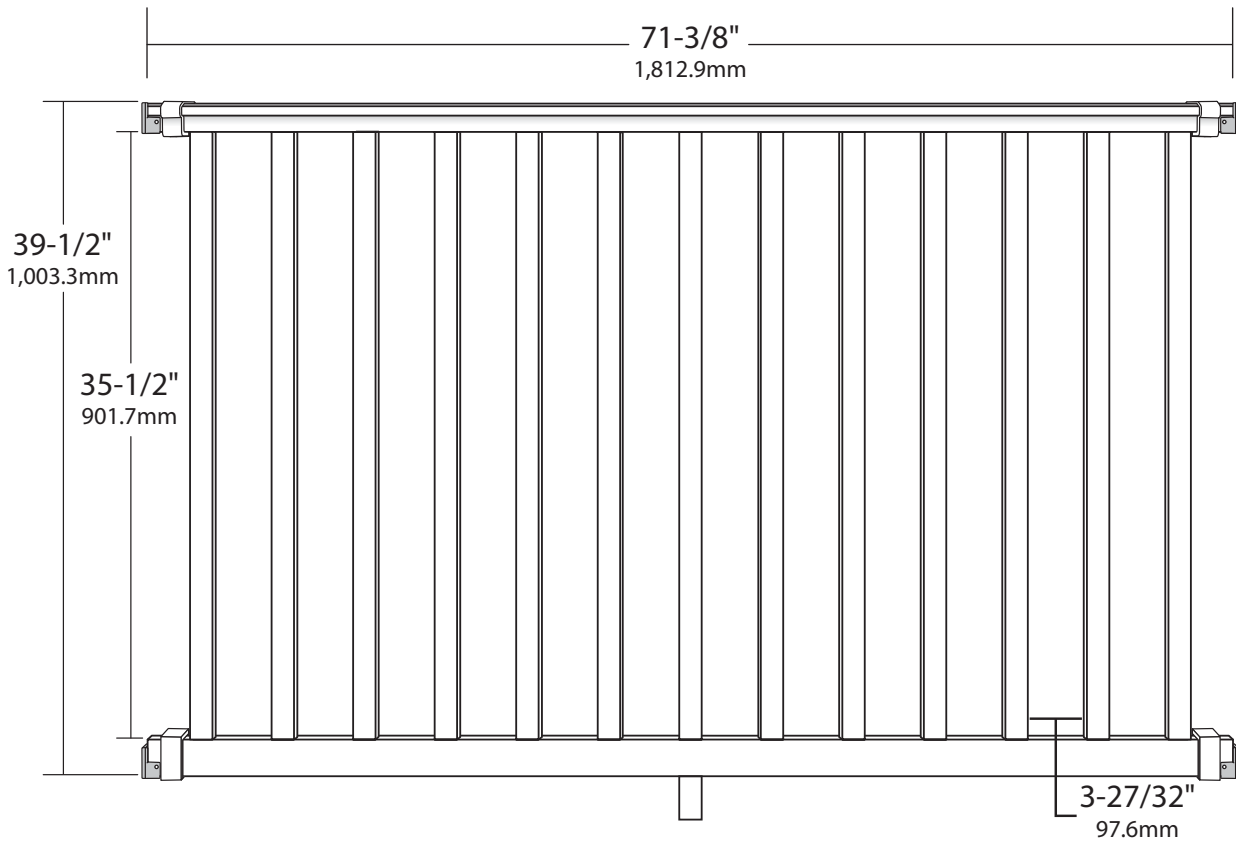


Bottom Rail Aluminum Insert

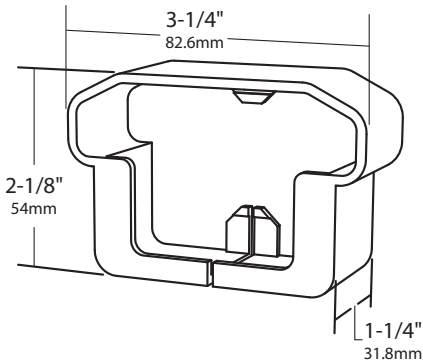


Dimensions and tolerances contained on drawings and figures are for reference only and may not encompass total allowable and approved dimensional variations.

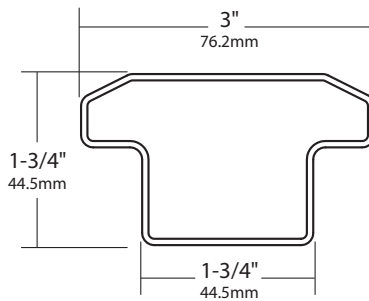
DOCUMENT TITLE:		8' Level Vinyl Rail Kit w/Square Balusters (42" Rail Height)			
This drawing is the property of Tuscan Manufacturing. Any hard copy of this drawing may not be current. This document and or images contained within may not be reproduced in publication format without express written consent of Tuscan Manufacturing. Drawings may not be to scale.					
		LANDMARKE			
		P.O. Box 37 Mount Joy, Pa 17552			
UOM	REF#	400680 & 400681	REV		
SCALE	SHEET#	1 of 1	DRAWN BY	DATE	2/9/10



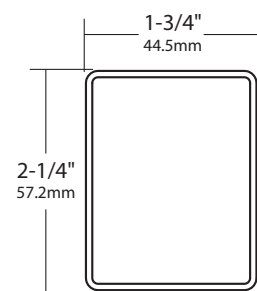
Top Rail Bracket Cover



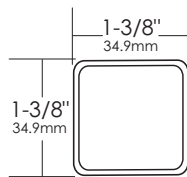
Top Rail Cutaway



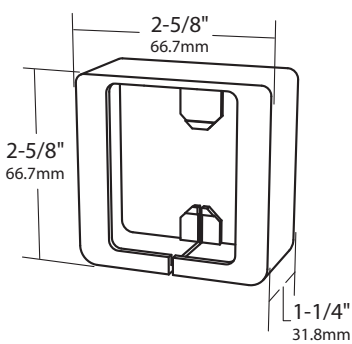
Bottom Rail Cutaway



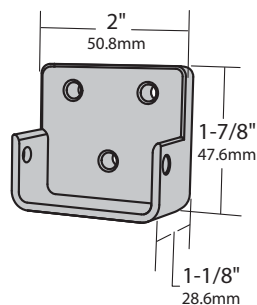
1-3/8" x 1-3/8" x 38-1/2"
34.9mm 34.9mm 977.9mm
Square Baluster



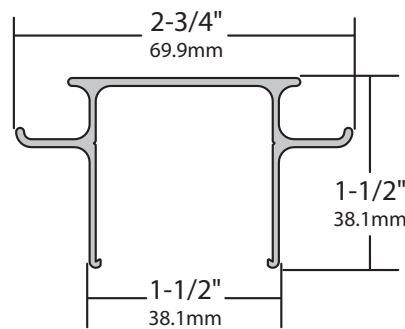
Bottom Rail Bracket Cover



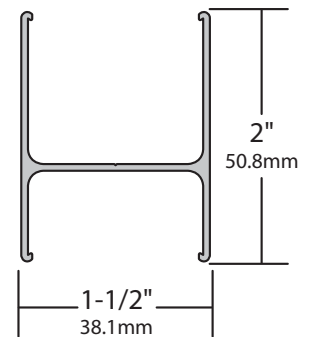
Die Cast Mounting Bracket
(Same Bracket for Both Top & Bottom Rail)



Top Rail Aluminum Insert



Bottom Rail Aluminum Insert

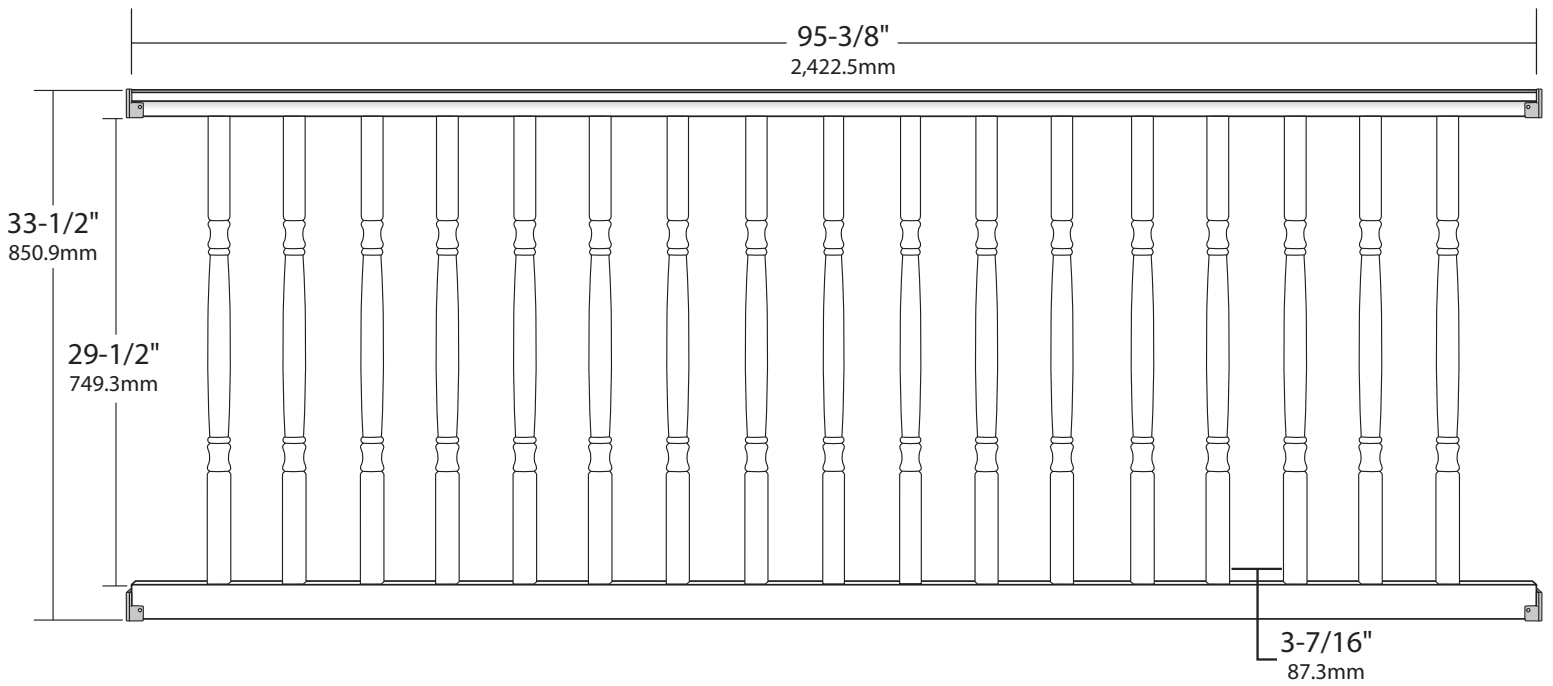


DOCUMENT TITLE: 6' Level Vinyl Rail Kit w/Square Balusters (42" Rail Height)

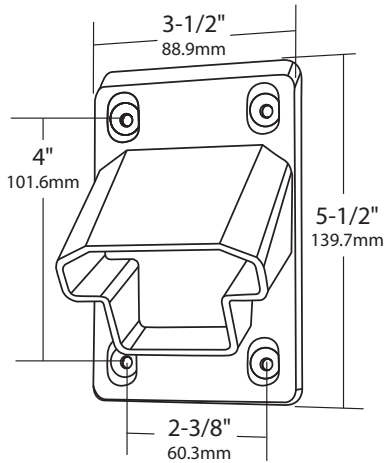
This drawing is the property of Tuscan Manufacturing.
Any hard copy of this drawing may not be current.
This document and/or images contained within may not be reproduced in publication format without express written consent of Tuscan Manufacturing. Drawings may not be to scale.

LANDMARKE			
P.O. Box 37 Mount Joy, Pa 17552			
UOM inch/mm	REF# 400675 & 400676	REV	
SCALE	SHEET# 1 of 1	DRAWN BY A.H.	DATE 2/18/10

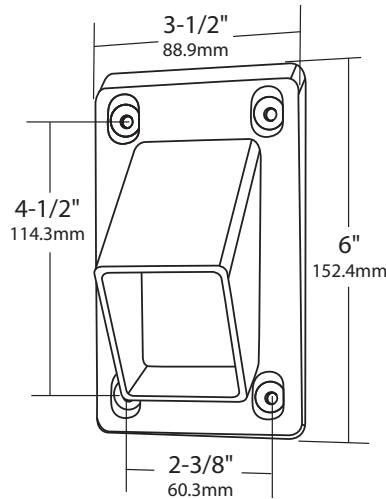
Dimensions and tolerances contained on drawings and figures are for reference only and may not encompass total allowable and approved dimensional variations.



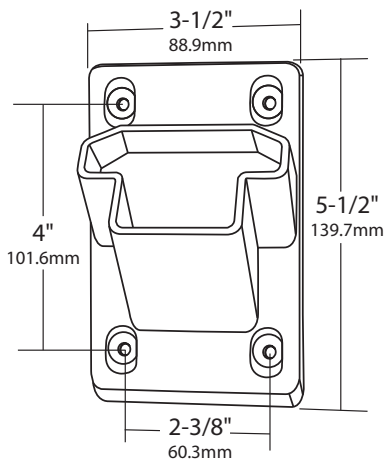
Top Rail Stair Bracket
(Top of Stair Run)



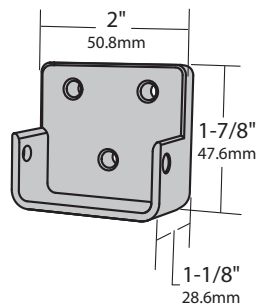
Bottom Rail Stair Bracket
(Same Bracket for Both Top & Bottom)



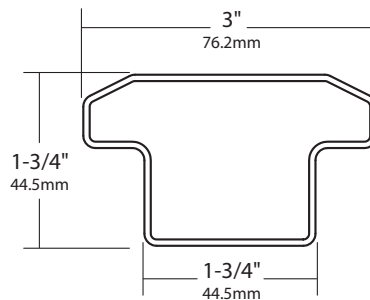
Top Rail Stair Bracket
(Bottom of Stair Run)



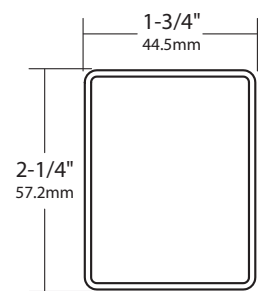
Die Cast Mounting Bracket
(Same Bracket for Both Top & Bottom Rail)



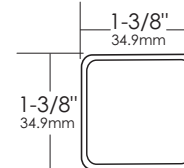
Top Rail Cutaway



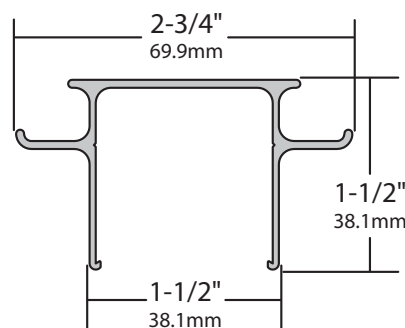
Bottom Rail Cutaway



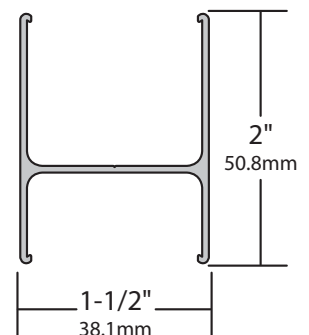
1-3/8" x 1-3/8" x 32-1/2"
34.9mm 34.9mm 825.5mm
Square Baluster



Top Rail Aluminum Insert

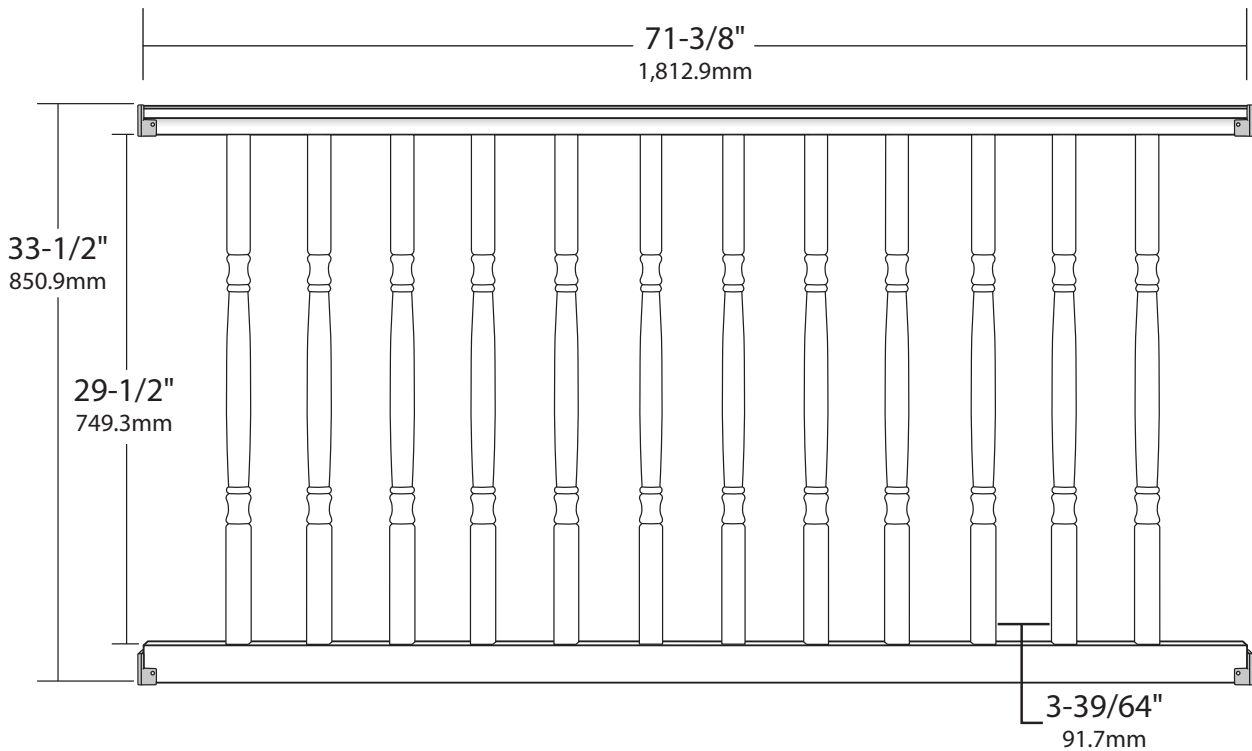


Bottom Rail Aluminum Insert

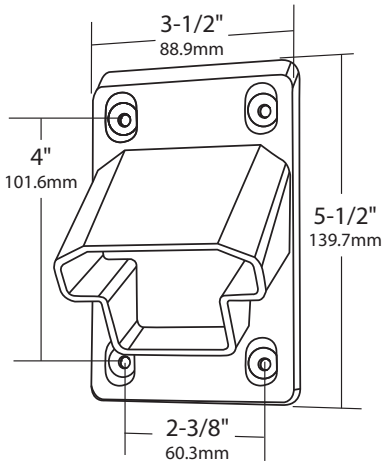


Dimensions and tolerances contained on drawings and figures are for reference only and may not encompass total allowable and approved dimensional variations.

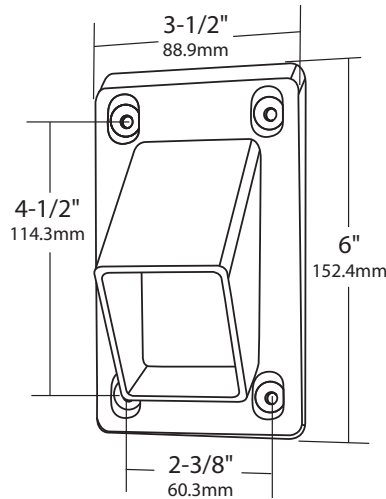
DOCUMENT TITLE:		8' Stair Vinyl Rail Kit w/ Turned Balusters (36" Rail Height)			
This drawing is the property of Tuscan Manufacturing. Any hard copy of this drawing may not be current.					
LANDMARKE					
P.O. Box 37 Mount Joy, Pa 17552					
UOM	REF#	REV	DATE	REV	
INCH/mm	400670 & 400671		2/22/10		
SCALE	SHEET#	DRAWN BY	DATE		
	1 of 1	AH	2/22/10		



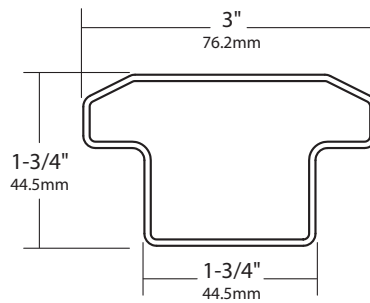
Top Rail Stair Bracket
(Top of Stair Run)



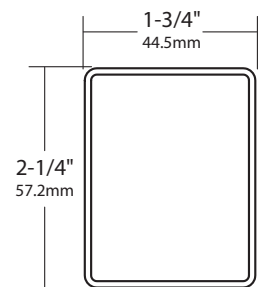
Bottom Rail Stair Bracket
(Same Bracket for Both Top & Bottom)



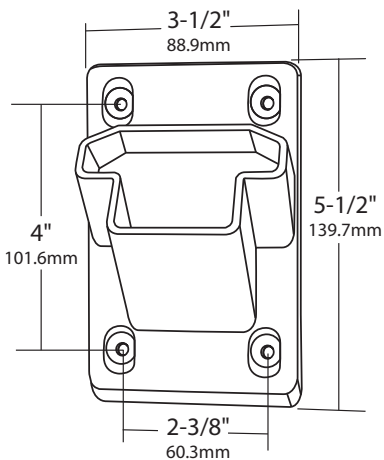
Top Rail Cutaway



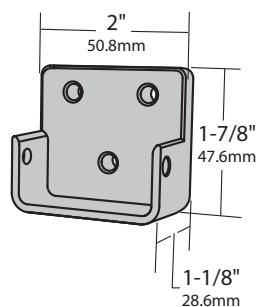
Bottom Rail Cutaway



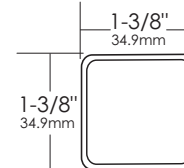
Top Rail Stair Bracket
(Bottom of Stair Run)



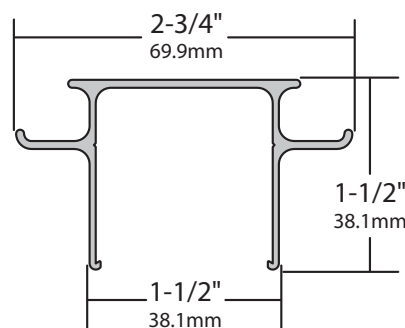
Die Cast Mounting Bracket
(Same Bracket for Both Top & Bottom Rail)



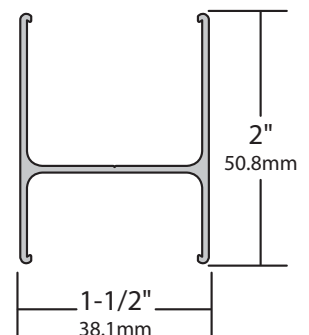
1-3/8" x 1-3/8" x 32-1/2"
34.9mm 34.9mm 825.5mm
Square Baluster



Top Rail Aluminum Insert

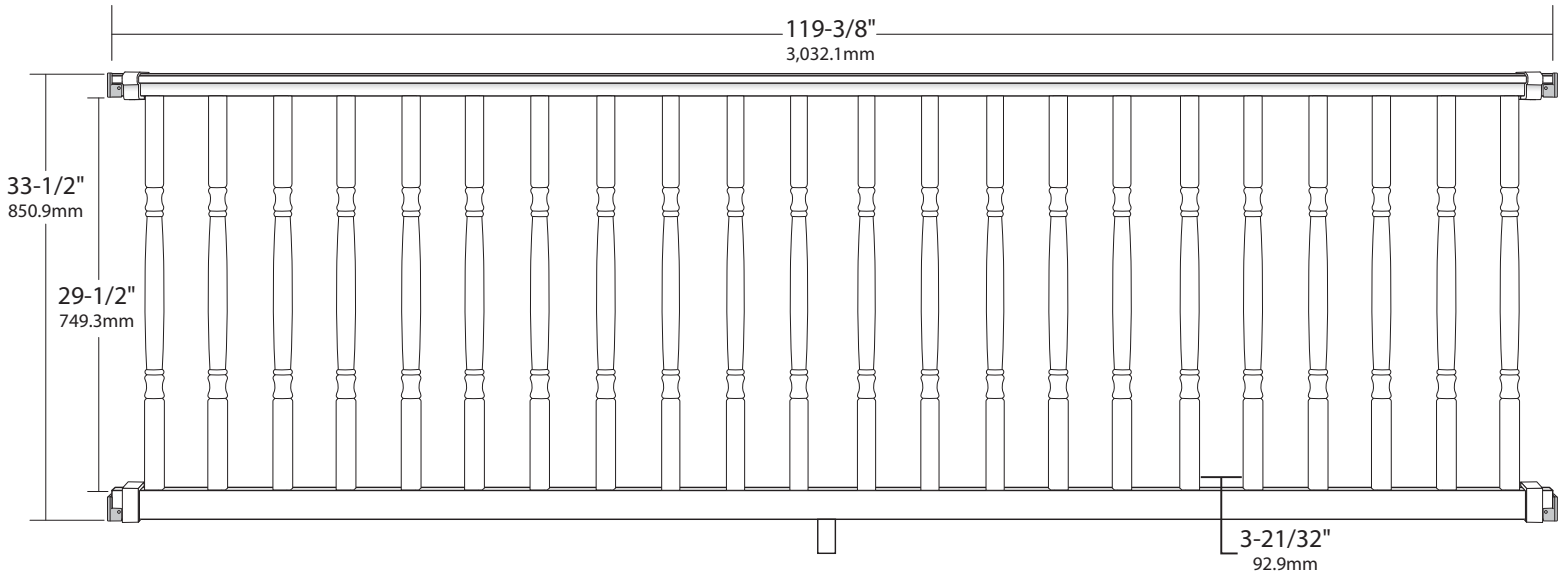


Bottom Rail Aluminum Insert

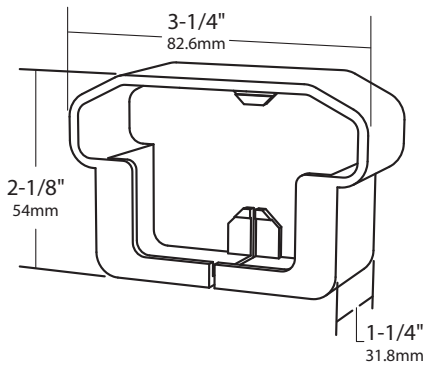


Dimensions and tolerances contained on drawings and figures are for reference only and may not encompass total allowable and approved dimensional variations.

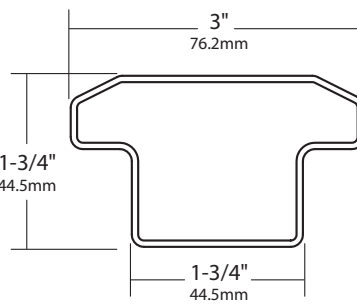
DOCUMENT TITLE:		6' Stair Vinyl Rail Kit w/ Turned Balusters (36" Rail Height)			
This drawing is the property of Tuscan Manufacturing. Any hard copy of this drawing may not be current.		LANDMARKE			
This document and or images contained within may not be reproduced in publication format without express written consent of Tuscan Manufacturing. Drawings may not be to scale.		P.O. Box 37 Mount Joy, Pa 17552		REV#	
SCALE	SHEET#	1 of 1	DRAWN BY	DATE	2/22/10



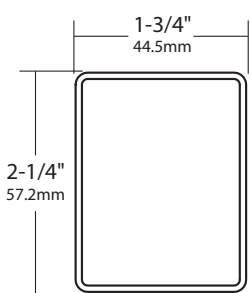
Top Rail Bracket Cover



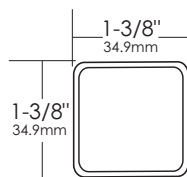
Top Rail Cutaway



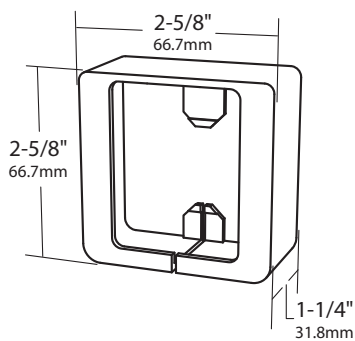
Bottom Rail Cutaway



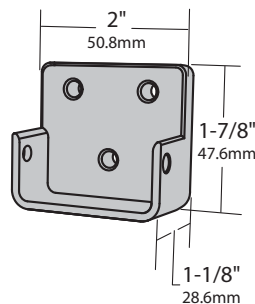
1-3/8" x 1-3/8" x 32-1/2"
34.9mm 34.9mm 825.5mm
Turned Baluster



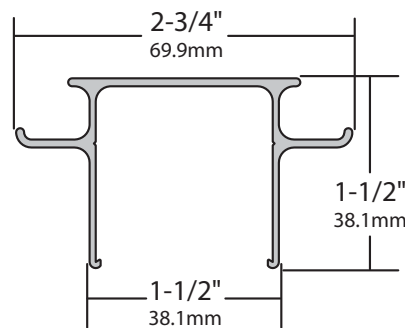
Bottom Rail Bracket Cover



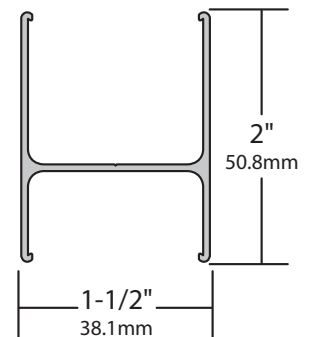
Die Cast Mounting Bracket
(Same Bracket for Both Top & Bottom Rail)



Top Rail Aluminum Insert

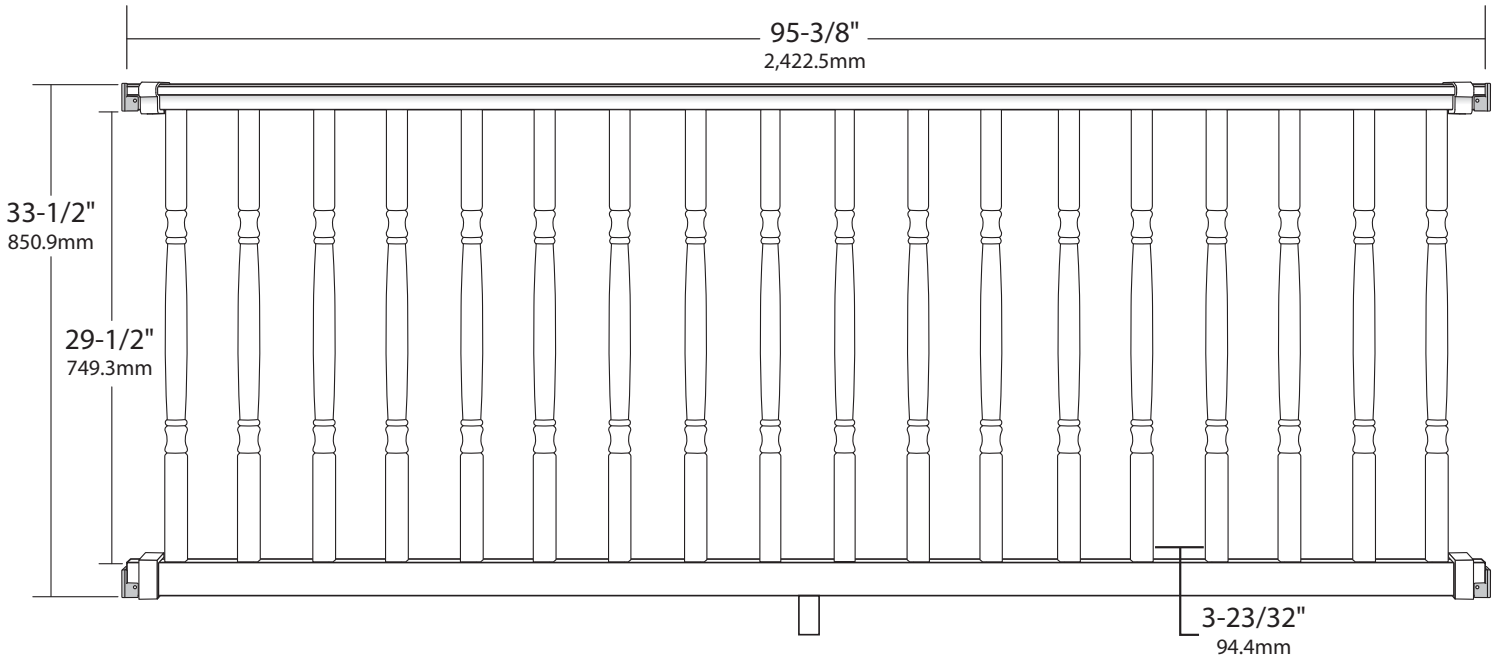


Bottom Rail Aluminum Insert

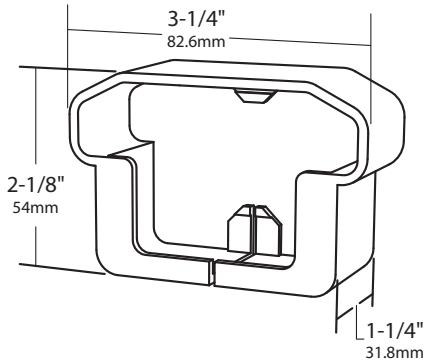


Dimensions and tolerances contained on drawings and figures are for reference only and may not encompass total allowable and approved dimensional variations.

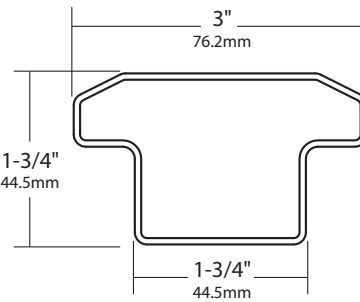
DOCUMENT TITLE:		10' Level Vinyl Rail Kit w/Turned Balusters (36" Rail Height)			
This drawing is the property of Tuscan Manufacturing. Any hard copy of this drawing may not be current.					
LANDMARKE					
P.O. Box 37 Mount Joy, Pa 17552					
UOM	REF#	400660 & 400661		REV	
SCALE	SHEET#	1 of 1	DRAWN BY	DATE	2/18/10



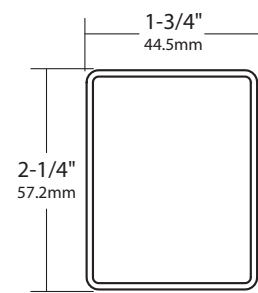
Top Rail Bracket Cover



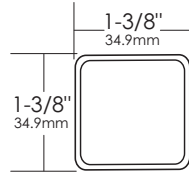
Top Rail Cutaway



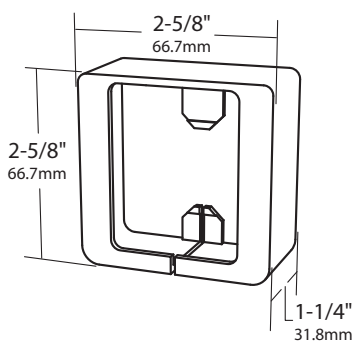
Bottom Rail Cutaway



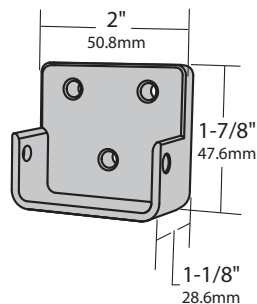
1-3/8" x 1-3/8" x 32-1/2" Turned Baluster
34.9mm 34.9mm 825.5mm



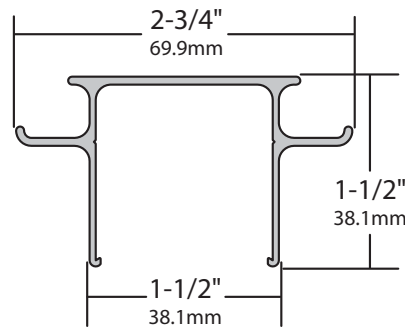
Bottom Rail Bracket Cover



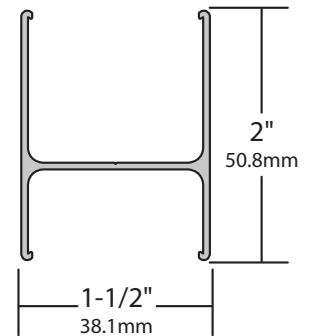
Die Cast Mounting Bracket
(Same Bracket for Both Top & Bottom Rail)



Top Rail Aluminum Insert

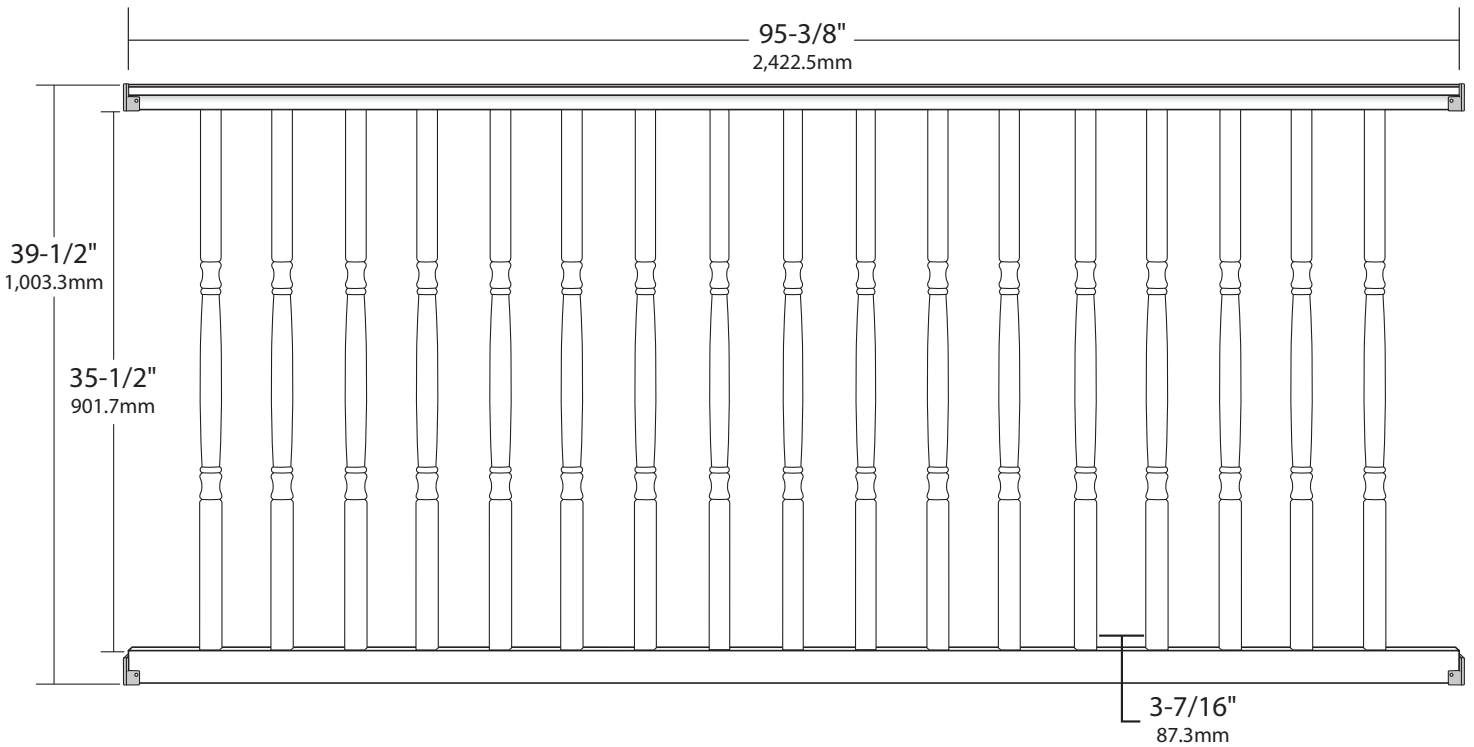


Bottom Rail Aluminum Insert

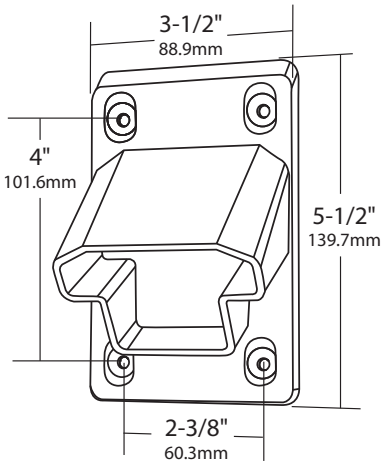


Dimensions and tolerances contained on drawings and figures are for reference only and may not encompass total allowable and approved dimensional variations.

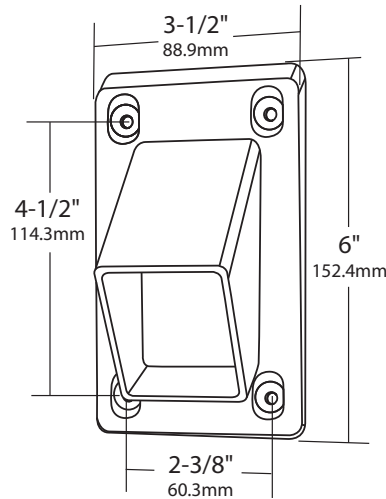
DOCUMENT TITLE: 8' Level Vinyl Rail Kit w/Turned Balusters (36" Rail Height)			
This drawing is the property of Tuscan Manufacturing. Any hard copy of this drawing may not be current.			
LANDMARKE			
P.O. Box 37 Mount Joy, Pa 17552			
UOM	REF#	REV	
SCALE	SHEET#	DRAWN BY	DATE
	1 of 1	AH	2/22/10



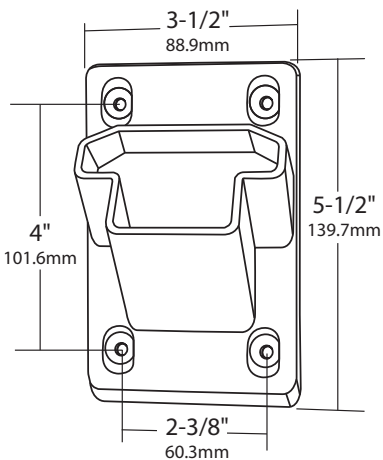
Top Rail Stair Bracket
(Top of Stair Run)



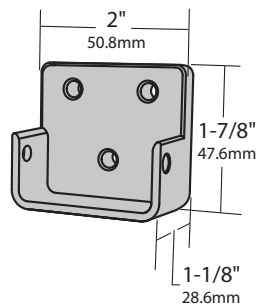
Bottom Rail Stair Bracket
(Same Bracket for Both Top & Bottom)



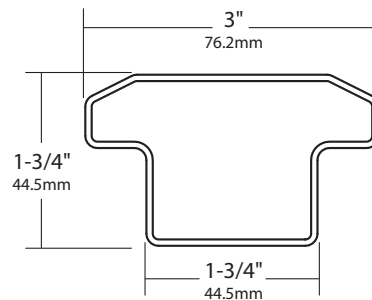
Top Rail Stair Bracket
(Bottom of Stair Run)



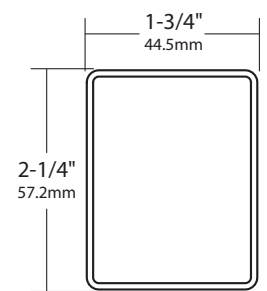
Die Cast Mounting Bracket
(Same Bracket for Both Top & Bottom Rail)



Top Rail Cutaway

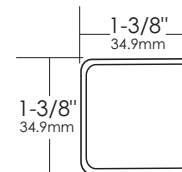


Bottom Rail Cutaway

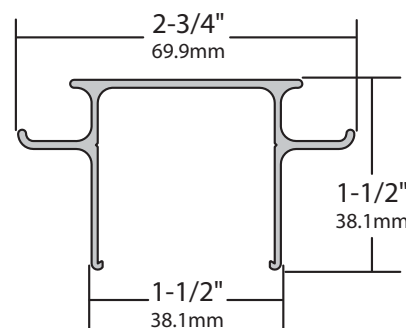


1-3/8" x 1-3/8" x 38-1/2"
34.9mm 34.9mm 977.9mm

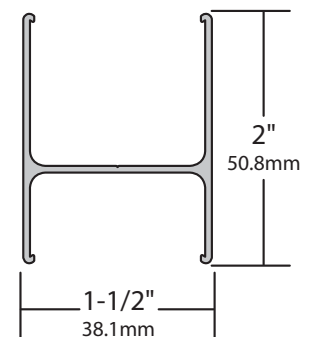
Square Baluster



Top Rail Aluminum Insert

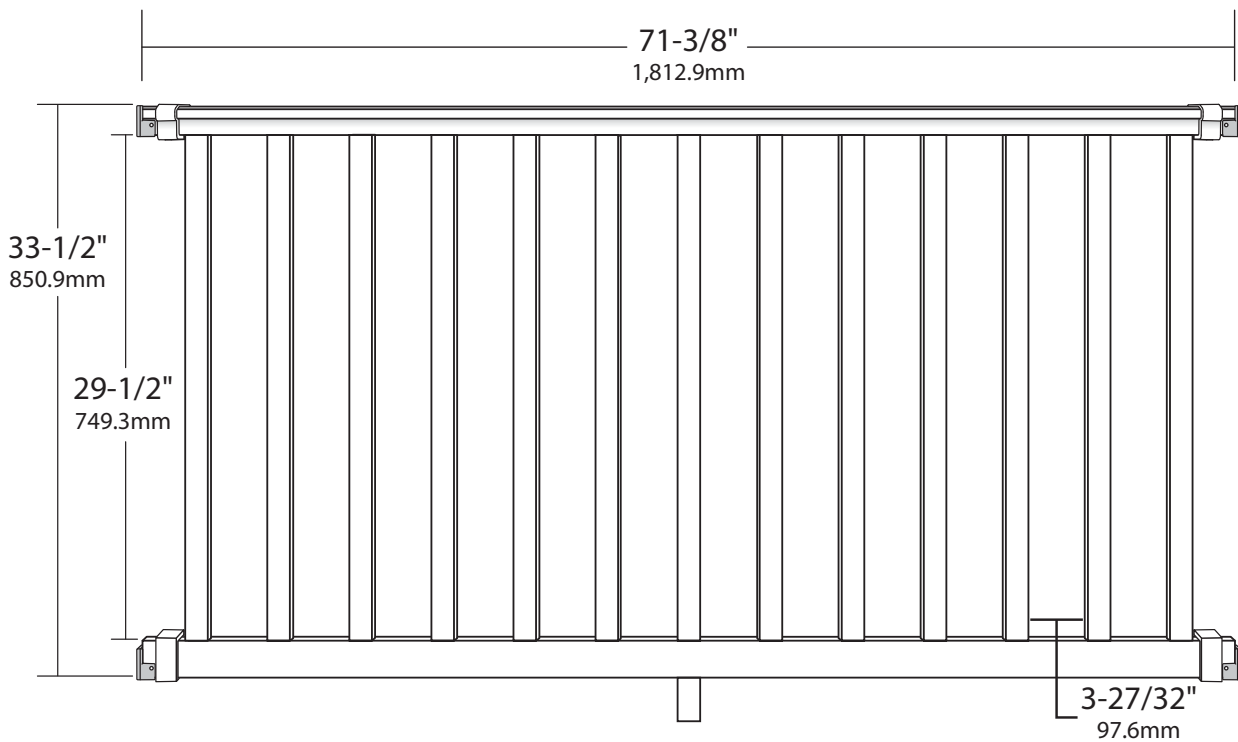


Bottom Rail Aluminum Insert

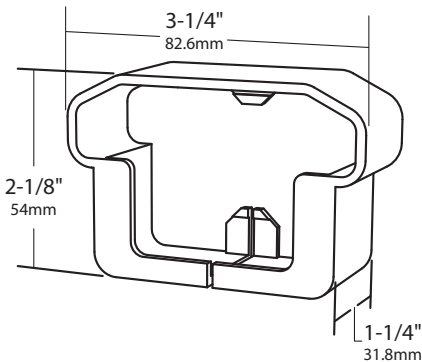


Dimensions and tolerances contained on drawings and figures are for reference only and may not encompass total allowable and approved dimensional variations.

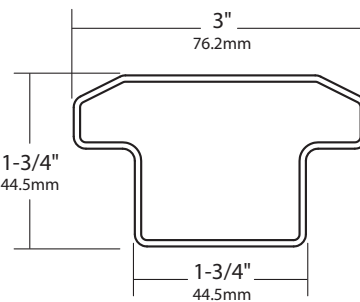
DOCUMENT TITLE:		8' Stair Vinyl Rail Kit w/ Turned Balusters (42" Rail Height)			
This drawing is the property of Tuscan Manufacturing. Any hard copy of this drawing may not be current.					
LANDMARKE					
P.O. Box 37 Mount Joy, Pa 17552					
UOM	REF#	400652 & 400654	REV		
SCALE	SHEET#	1 of 1	DRAWN BY	DATE	2/22/10



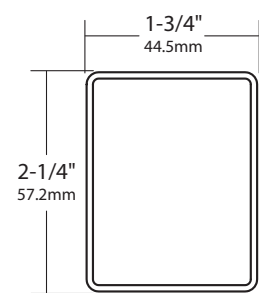
Top Rail Bracket Cover



Top Rail Cutaway

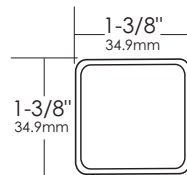


Bottom Rail Cutaway

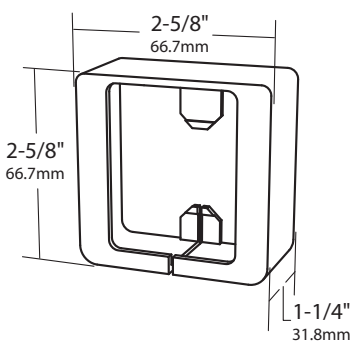


1-3/8" x 1-3/8" x 32-1/2"
34.9mm 34.9mm 825.5mm

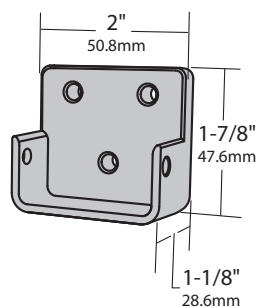
Turned Baluster



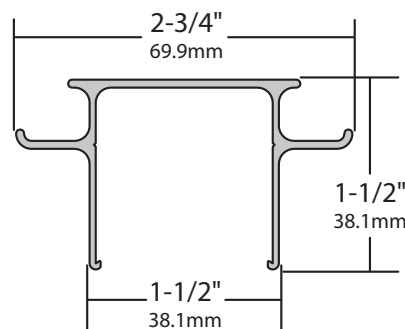
Bottom Rail Bracket Cover



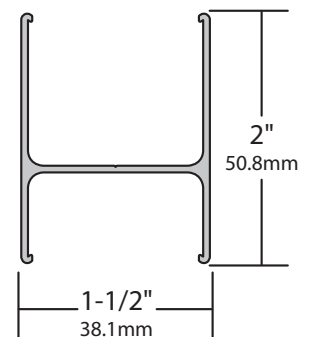
Die Cast Mounting Bracket
(Same Bracket for Both Top & Bottom Rail)



Top Rail Aluminum Insert



Bottom Rail Aluminum Insert

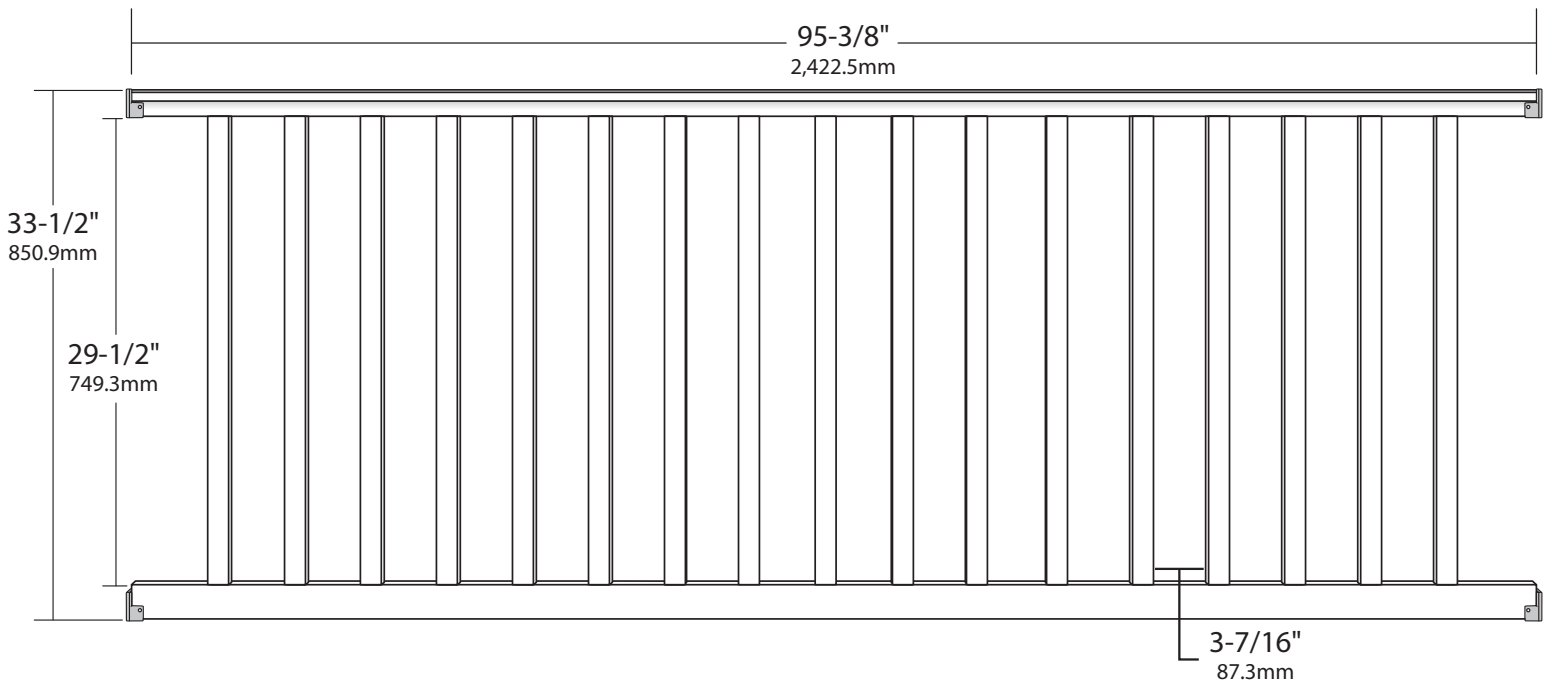


DOCUMENT TITLE: 6' Level Vinyl Rail Kit w/Turned Balusters (36" Rail Height)

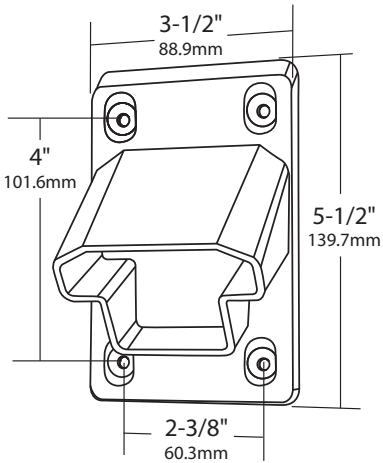
This drawing is the property of Tuscan Manufacturing.
Any hard copy of this drawing may not be current.
This document and/or images contained within may not be reproduced in publication format without express written consent of Tuscan Manufacturing. Drawings may not be to scale.

LANDMARKE			
P.O. Box 37 Mount Joy, Pa 17552			
UOM inch/mm	REF# 400650 & 400651	REV	
SCALE	SHEET# 1 of 1	DRAWN BY AH	DATE 2/22/10

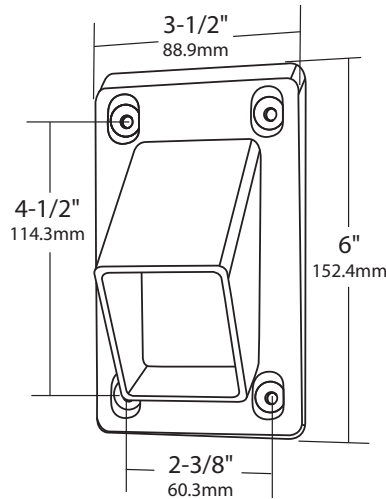
Dimensions and tolerances contained on drawings and figures are for reference only and may not encompass total allowable and approved dimensional variations.



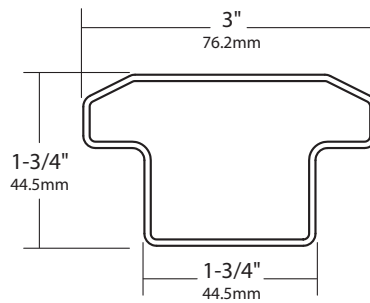
Top Rail Stair Bracket
(Top of Stair Run)



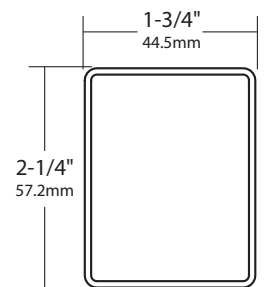
Bottom Rail Stair Bracket
(Same Bracket for Both Top & Bottom)



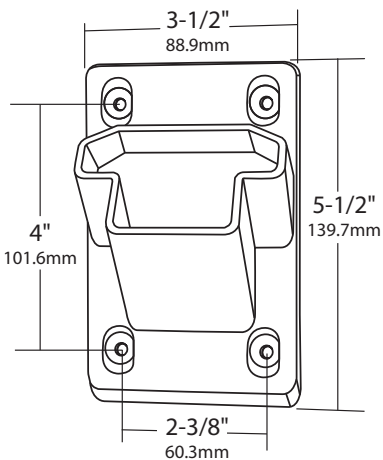
Top Rail Cutaway



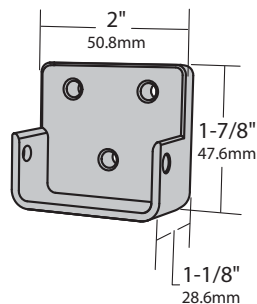
Bottom Rail Cutaway



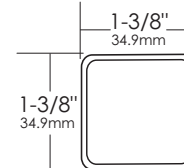
Top Rail Stair Bracket
(Bottom of Stair Run)



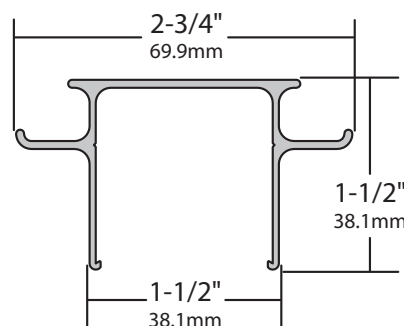
Die Cast Mounting Bracket
(Same Bracket for Both Top & Bottom Rail)



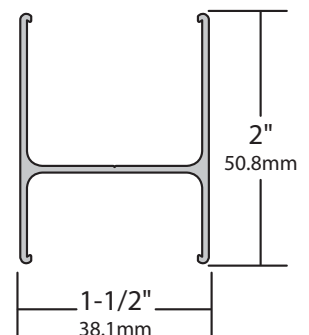
1-3/8" x 1-3/8" x 32-1/2"
34.9mm 34.9mm 825.5mm
Square Baluster



Top Rail Aluminum Insert

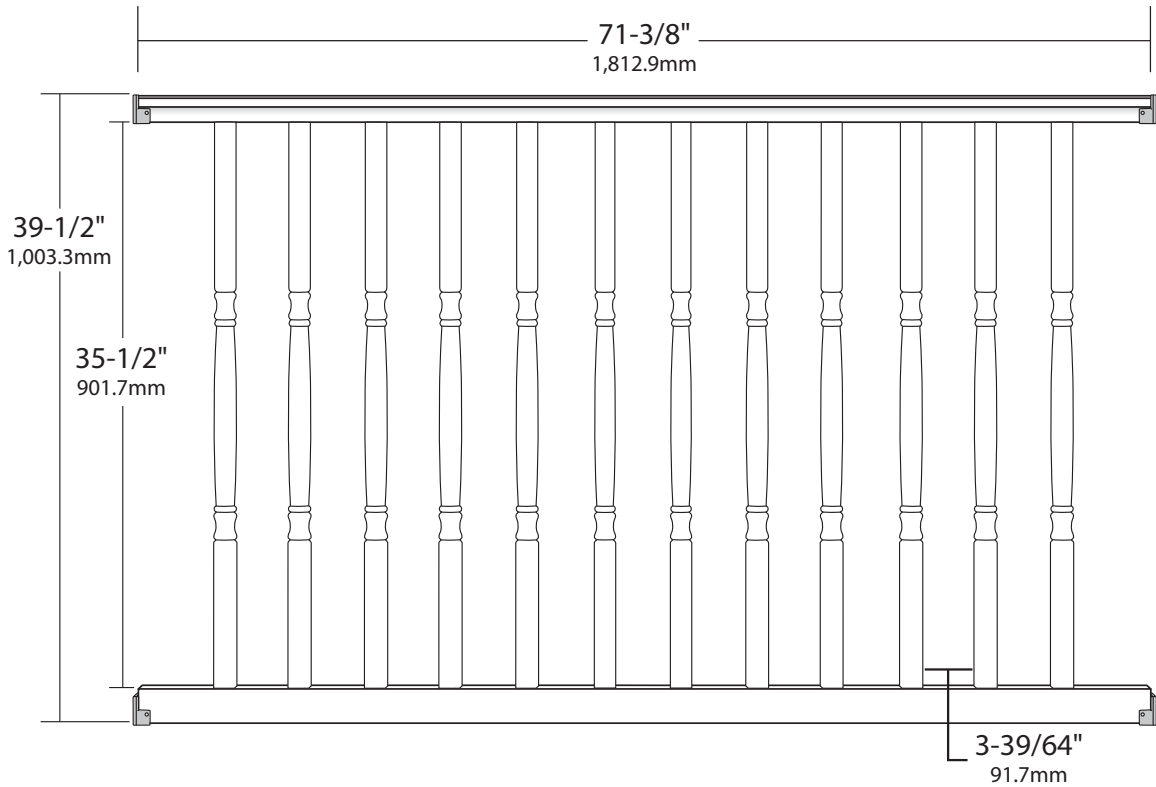


Bottom Rail Aluminum Insert

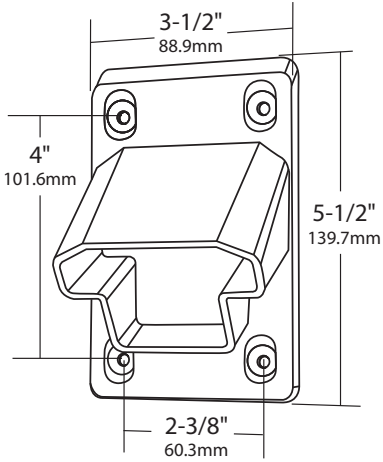


Dimensions and tolerances contained on drawings and figures are for reference only and may not encompass total allowable and approved dimensional variations.

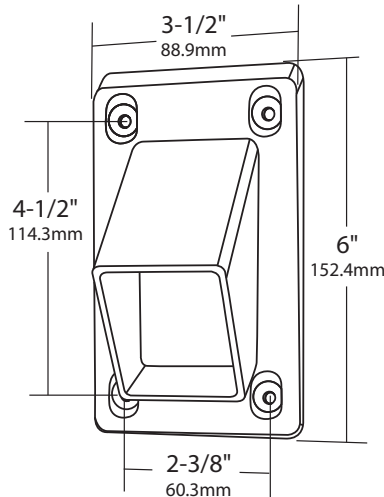
DOCUMENT TITLE:		8' Stair Vinyl Rail Kit w/Square Balusters (36" Rail Height)			
This drawing is the property of Tuscan Manufacturing. Any hard copy of this drawing may not be current.					
LANDMARKE					
P.O. Box 37 Mount Joy, Pa 17552					
UOM	REF#	REV			
#/inch/mm	400645 & 400646				
SCALE	SHEET#	DRAWN BY	DATE		
	1 of 1	AH	2/22/10		



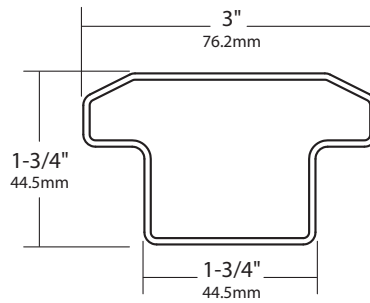
Top Rail Stair Bracket
(Top of Stair Run)



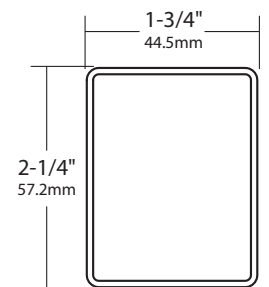
Bottom Rail Stair Bracket
(Same Bracket for Both Top & Bottom)



Top Rail Cutaway

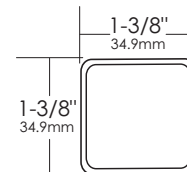


Bottom Rail Cutaway

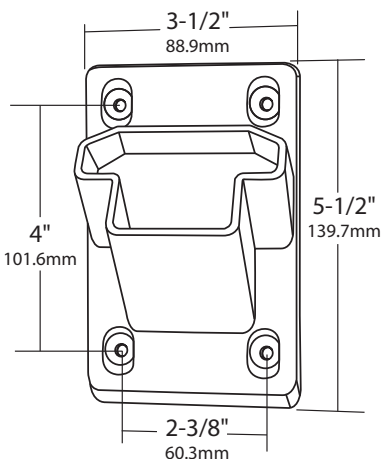


1-3/8" x 1-3/8" x 38-1/2"
34.9mm 34.9mm 977.9mm

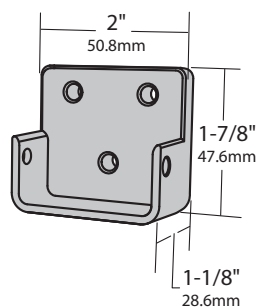
Turned Baluster



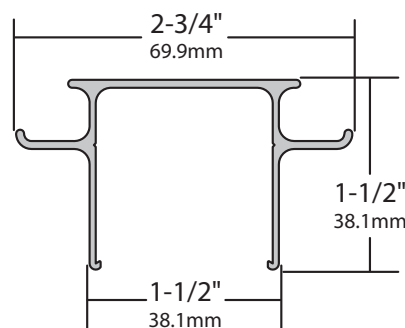
Top Rail Stair Bracket
(Bottom of Stair Run)



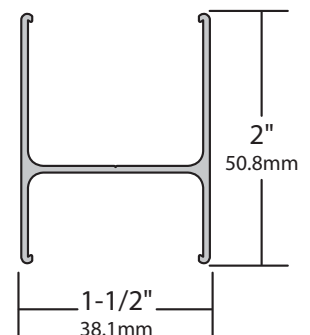
Die Cast Mounting Bracket
(Same Bracket for Both Top & Bottom Rail)



Top Rail Aluminum Insert



Bottom Rail Aluminum Insert

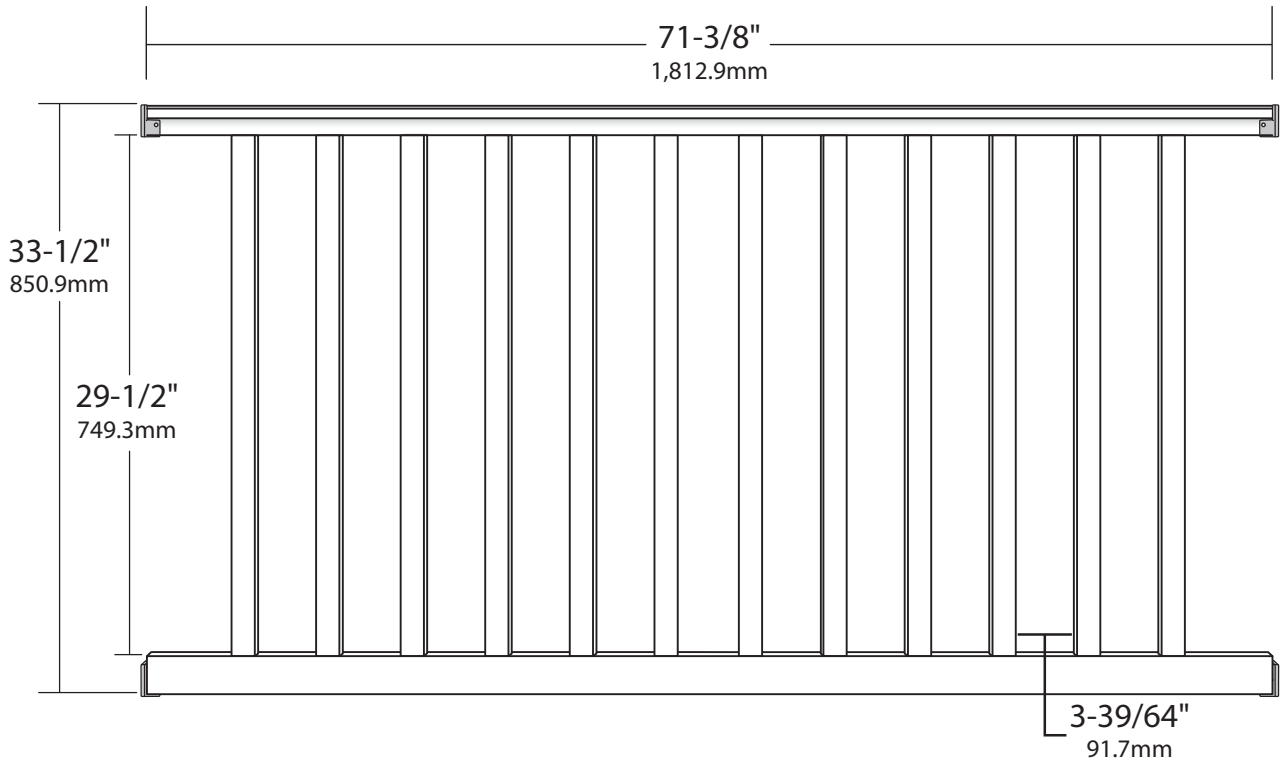


DOCUMENT TITLE: 6' Stair Vinyl Rail Kit w/ Turned Balusters (42" Rail Height)

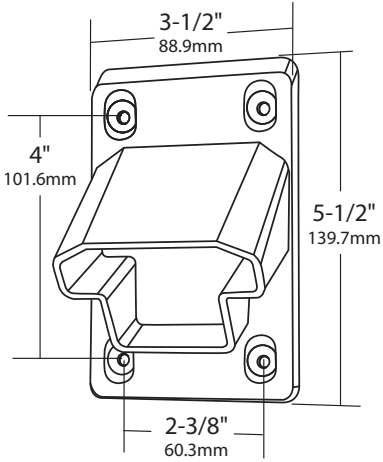
This drawing is the property of Tuscan Manufacturing.
Any hard copy of this drawing may not be current.
This document and/or images contained within may not be reproduced in publication format without express written consent of Tuscan Manufacturing. Drawings may not be to scale.

LANDMARKE			
P.O. Box 37 Mount Joy, Pa 17552			
UOM inch/mm	REF# 400643 & 400644	REV	
SCALE	SHEET# 1 of 1	DRAWN BY AH	DATE 2/22/10

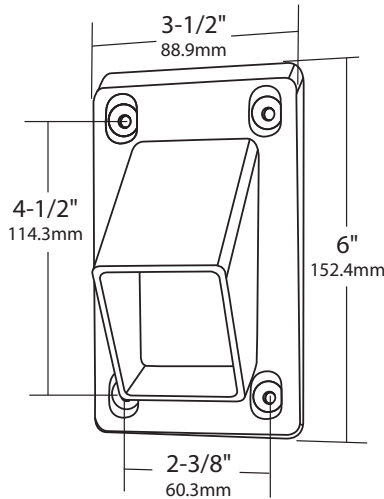
Dimensions and tolerances contained on drawings and figures are for reference only and may not encompass total allowable and approved dimensional variations.



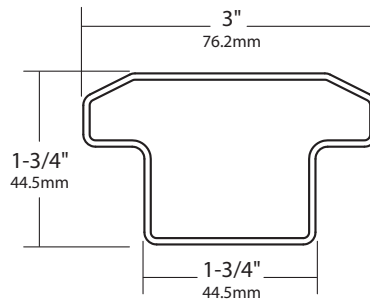
Top Rail Stair Bracket
(Top of Stair Run)



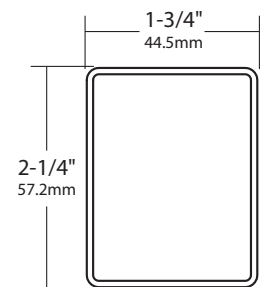
Bottom Rail Stair Bracket
(Same Bracket for Both Top & Bottom)



Top Rail Cutaway

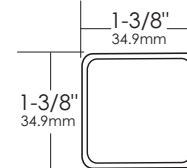


Bottom Rail Cutaway

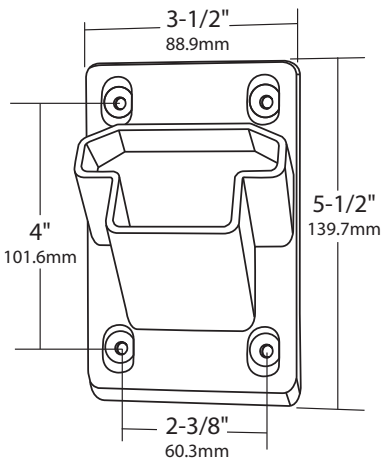


1-3/8" x 1-3/8" x 32-1/2"
34.9mm x 34.9mm x 825.5mm

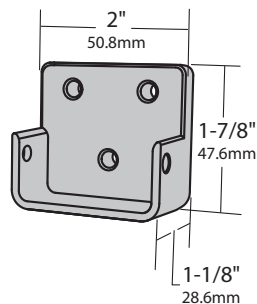
Square Baluster



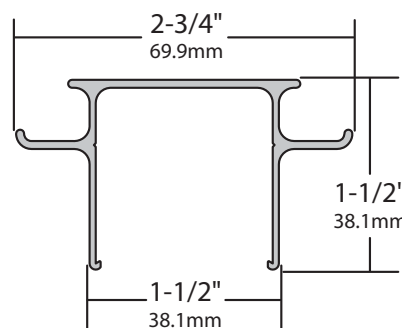
Top Rail Stair Bracket
(Bottom of Stair Run)



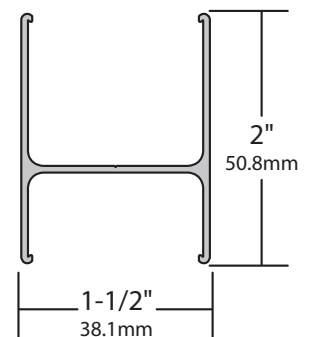
Die Cast Mounting Bracket
(Same Bracket for Both Top & Bottom Rail)



Top Rail Aluminum Insert

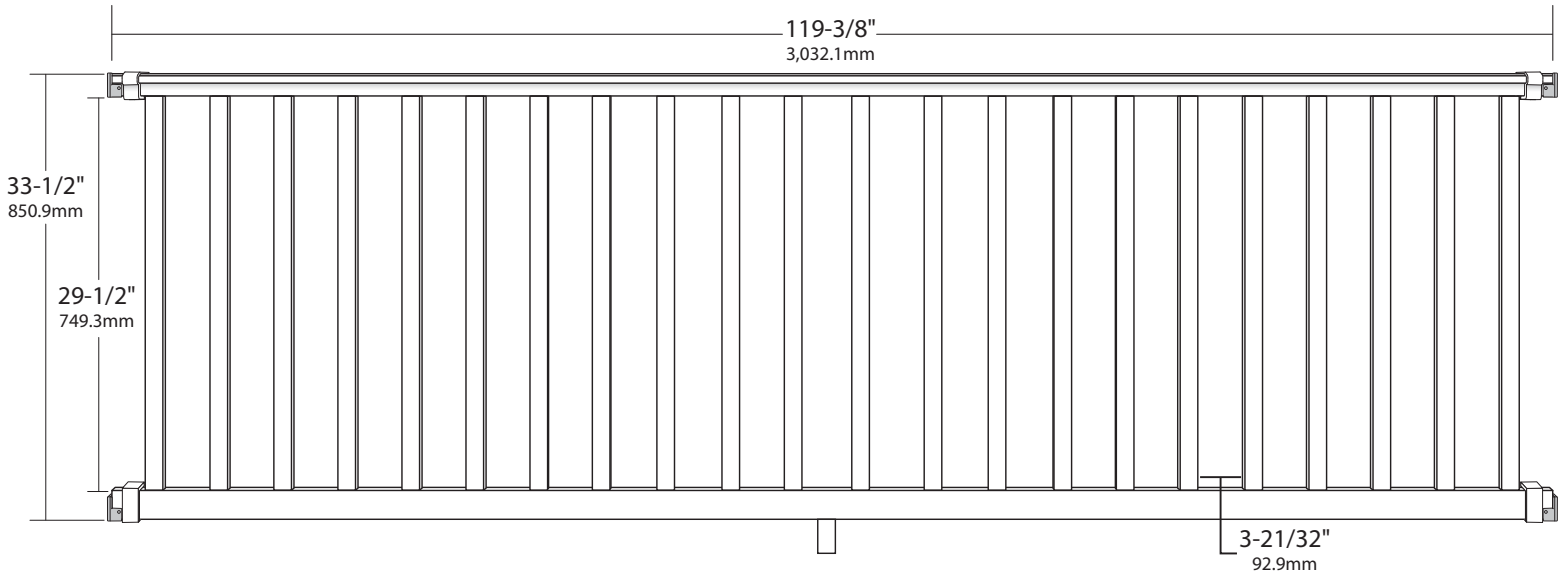


Bottom Rail Aluminum Insert

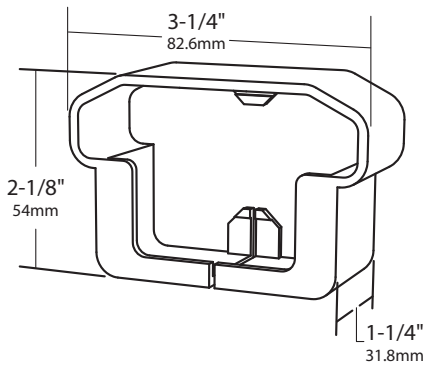


Dimensions and tolerances contained on drawings and figures are for reference only and may not encompass total allowable and approved dimensional variations.

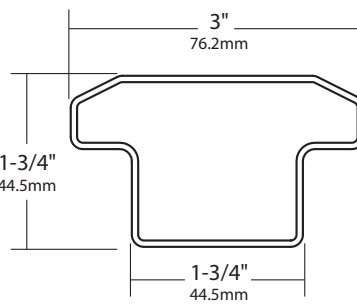
DOCUMENT TITLE:		6' Stair Vinyl Rail Kit w/Square Balusters (36" Rail Height)			
This drawing is the property of Tuscan Manufacturing. Any hard copy of this drawing may not be current. This document and or images contained within may not be reproduced in publication format without express written consent of Tuscan Manufacturing. Drawings may not be to scale.					
		LANDMARKE			
		P.O. Box 37 Mount Joy, Pa 17552			
UOM	REF#	400640 & 400641		REV	
SCALE	SHEET#	1 of 1	DRAWN BY	DATE	2/22/10



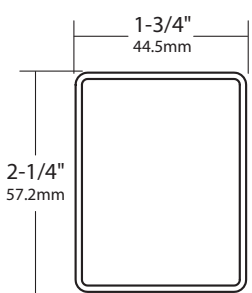
Top Rail Bracket Cover



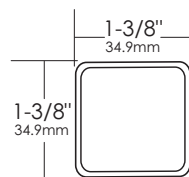
Top Rail Cutaway



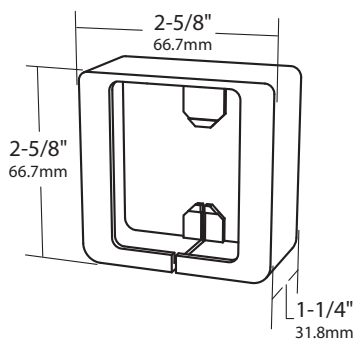
Bottom Rail Cutaway



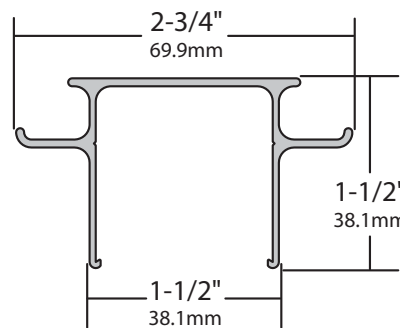
1-3/8" x 1-3/8" x 32-1/2"
34.9mm 34.9mm 825.5mm
Square Baluster



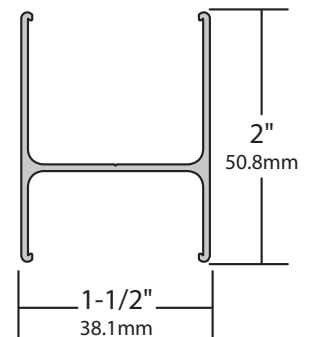
Bottom Rail Bracket Cover



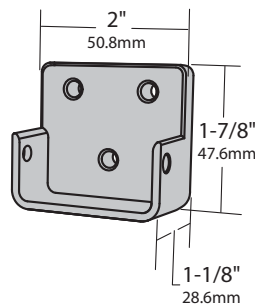
Top Rail Aluminum Insert



Bottom Rail Aluminum Insert



Die Cast Mounting Bracket
(Same Bracket for Both Top & Bottom Rail)

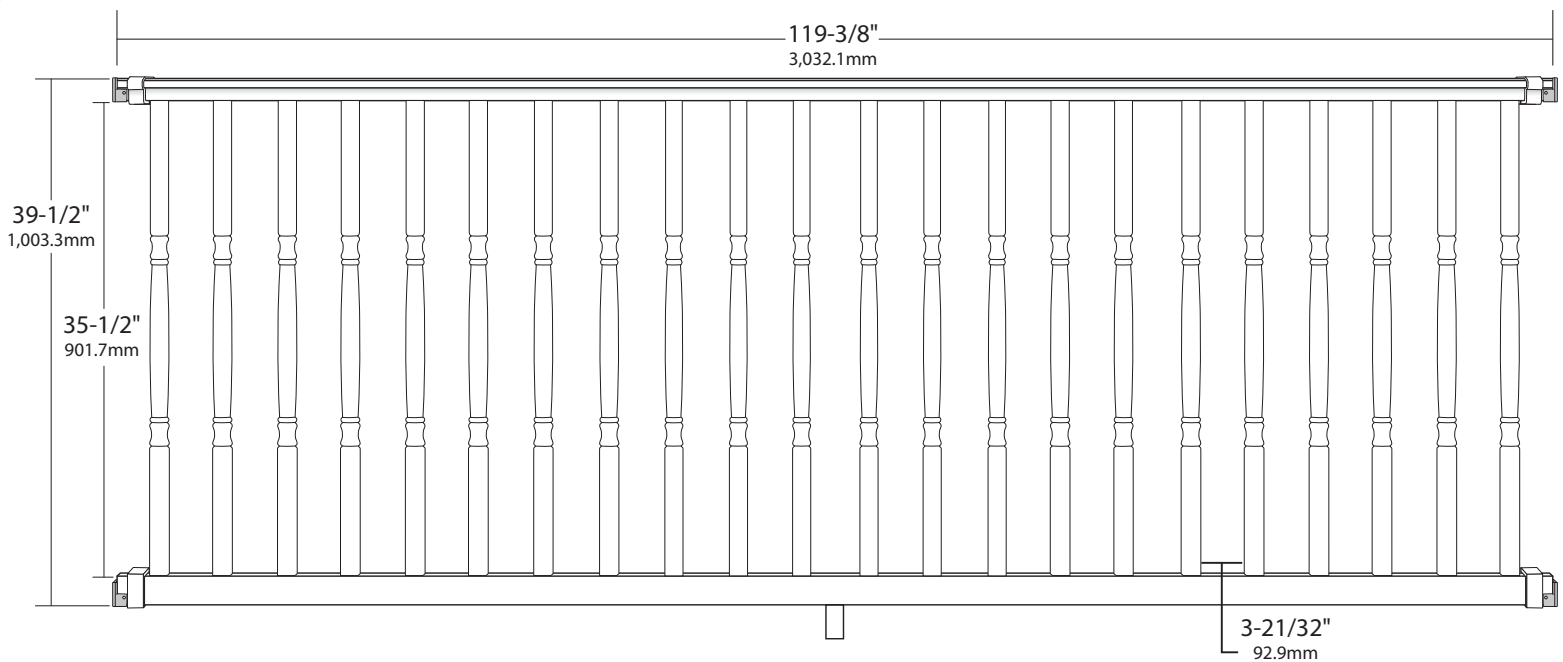


DOCUMENT TITLE: 10' Level Vinyl Rail Kit w/Square Balusters (36" Rail Height)

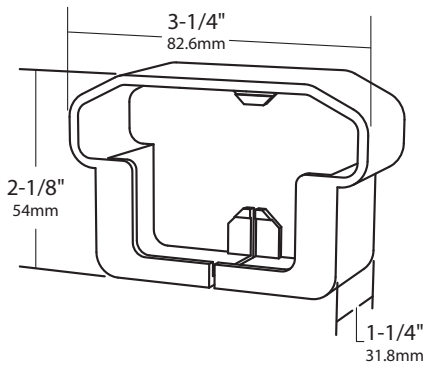
This drawing is the property of Tuscan Manufacturing. Any hard copy of this drawing may not be current. This document and or images contained within may not be reproduced in publication format without express written consent of Tuscan Manufacturing. Drawings may not be to scale.

LANDMARKE			
P.O. Box 37 Mount Joy, Pa 17552			
UOM #/inch/mm	REF# 400635 & 400636	REV	
SCALE	SHEET# 1 of 1	DRAWN BY AH	DATE 2/18/10

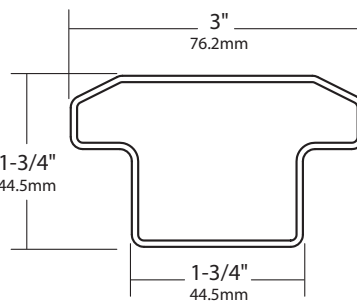
Dimensions and tolerances contained on drawings and figures are for reference only and may not encompass total allowable and approved dimensional variations.



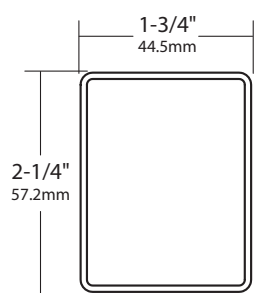
Top Rail Bracket Cover



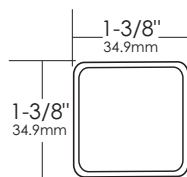
Top Rail Cutaway



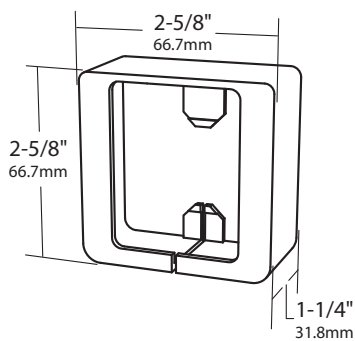
Bottom Rail Cutaway



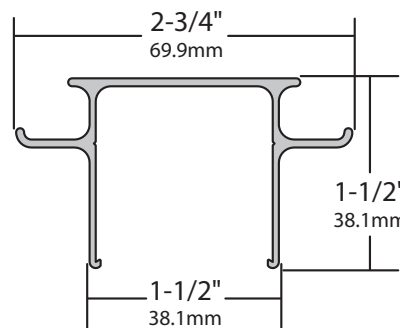
1-3/8" x 1-3/8" x 38-1/2"
34.9mm 34.9mm 977.9mm
Turned Baluster



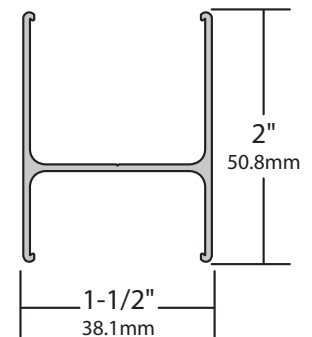
Bottom Rail Bracket Cover



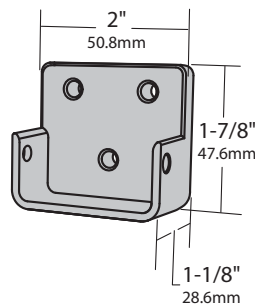
Top Rail Aluminum Insert



Bottom Rail Aluminum Insert

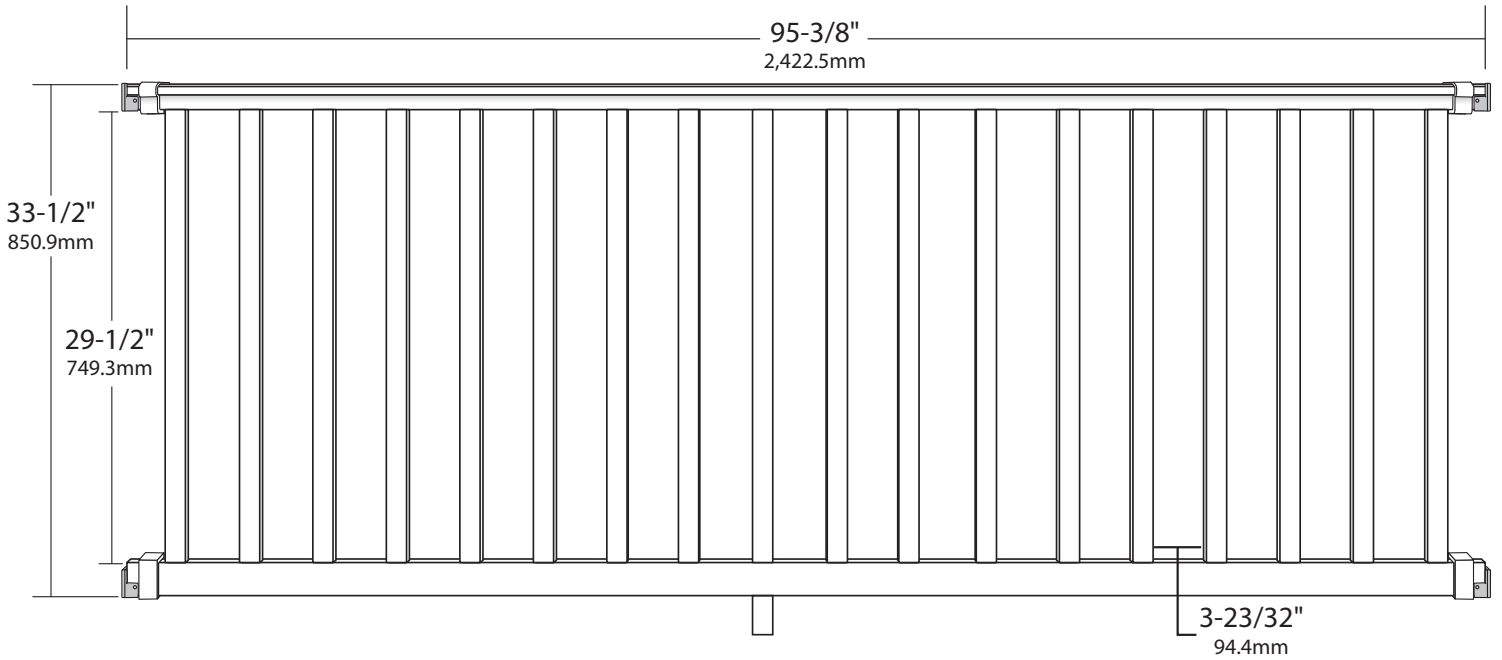


Die Cast Mounting Bracket
(Same Bracket for Both Top & Bottom Rail)

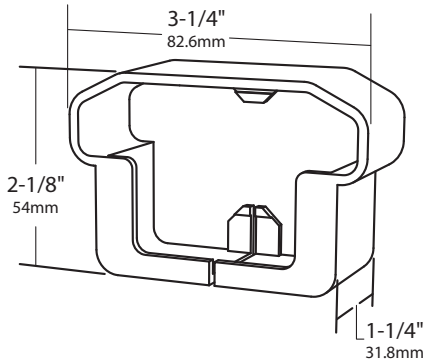


Dimensions and tolerances contained on drawings and figures are for reference only and may not encompass total allowable and approved dimensional variations.

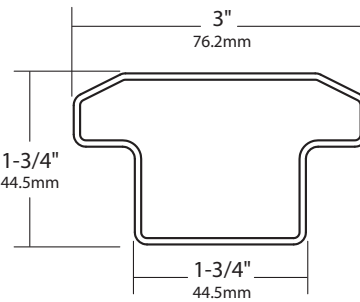
DOCUMENT TITLE: 10' Level Vinyl Rail Kit w/Turned Balusters (42" Rail Height)			
This drawing is the property of Tuscan Manufacturing. Any hard copy of this drawing may not be current.			
LANDMARKE			
P.O. Box 37 Mount Joy, Pa 17552			
UOM inch/mm	REF# 400632 & 400633	REV	
SCALE	SHEET# 1 of 1	DRAWN BY AH	DATE 2/18/10



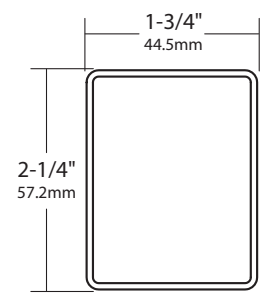
Top Rail Bracket Cover



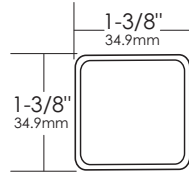
Top Rail Cutaway



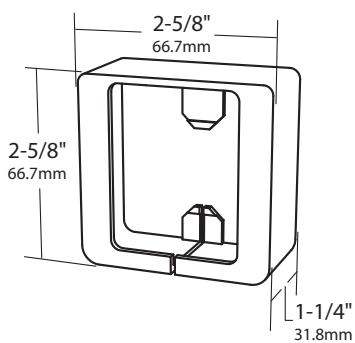
Bottom Rail Cutaway



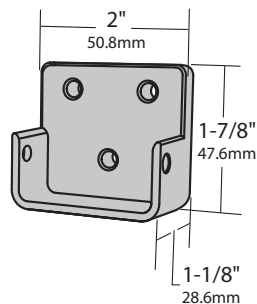
1-3/8" x 1-3/8" x 32-1/2"
34.9mm 34.9mm 825.5mm
Square Baluster



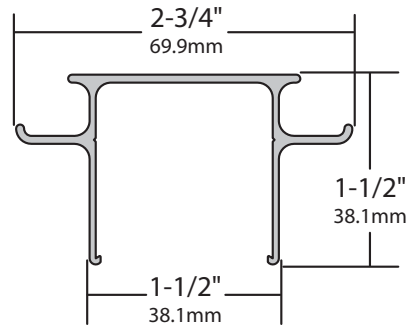
Bottom Rail Bracket Cover



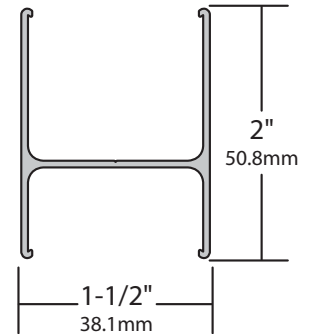
Die Cast Mounting Bracket
(Same Bracket for Both Top & Bottom Rail)



Top Rail Aluminum Insert

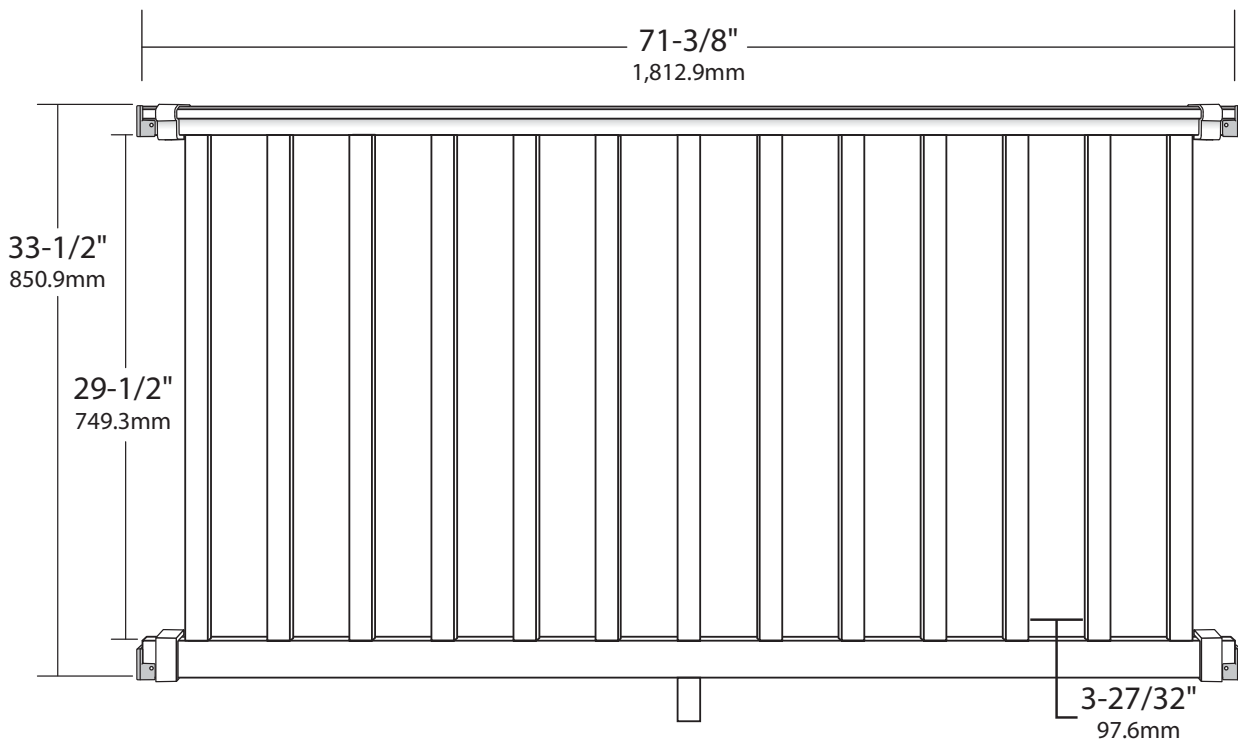


Bottom Rail Aluminum Insert

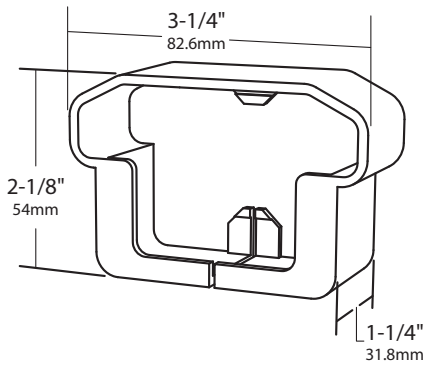


Dimensions and tolerances contained on drawings and figures are for reference only and may not encompass total allowable and approved dimensional variations.

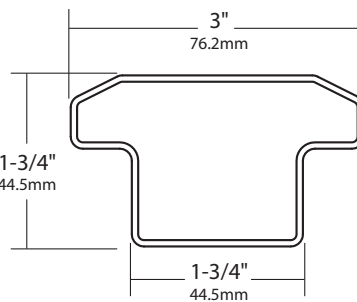
DOCUMENT TITLE:		8' Level Vinyl Rail Kit w/Square Balusters (36" Rail Height)	
This drawing is the property of Tuscan Manufacturing. Any hard copy of this drawing may not be current.			
LANDMARKE			
P.O. Box 37 Mount Joy, Pa 17552			
UOM	REF#	REV	
inch/mm	400630 & 400631		
SCALE	SHEET#	DRAWN BY	DATE
	1 of 1	AH	2/9/10



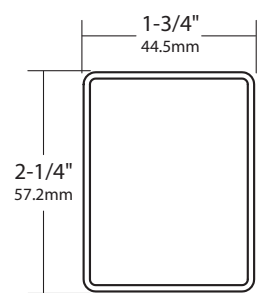
Top Rail Bracket Cover



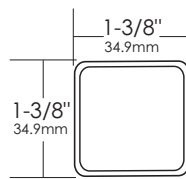
Top Rail Cutaway



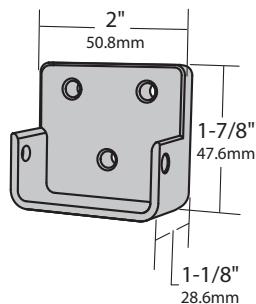
Bottom Rail Cutaway



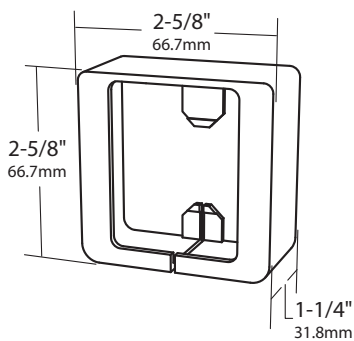
1-3/8" x 1-3/8" x 32-1/2"
34.9mm 34.9mm 825.5mm
Square Baluster



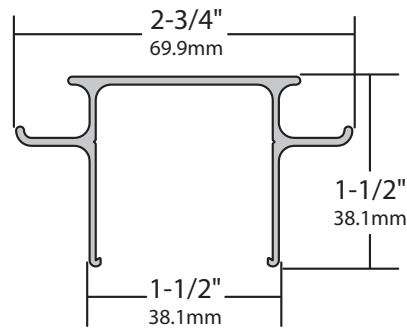
Die Cast Mounting Bracket
(Same Bracket for Both Top & Bottom Rail)



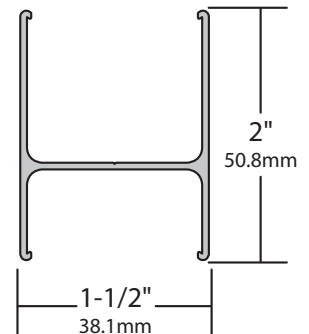
Bottom Rail Bracket Cover



Top Rail Aluminum Insert

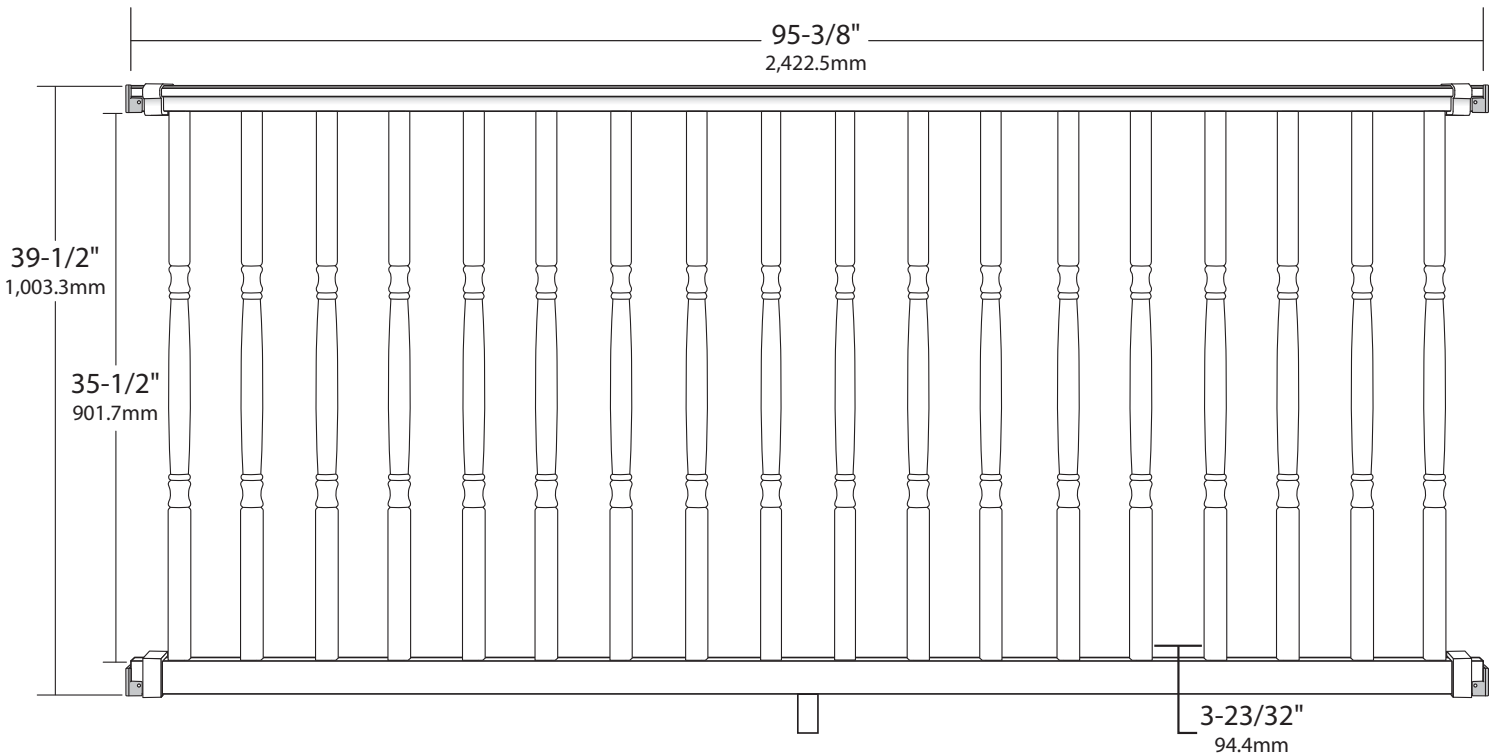


Bottom Rail Aluminum Insert

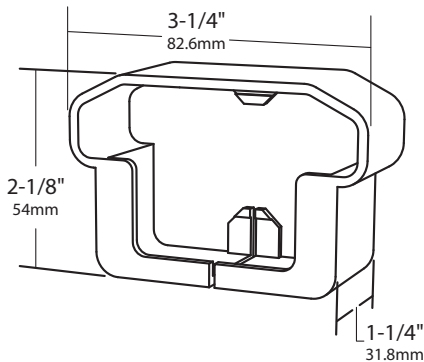


Dimensions and tolerances contained on drawings and figures are for reference only and may not encompass total allowable and approved dimensional variations.

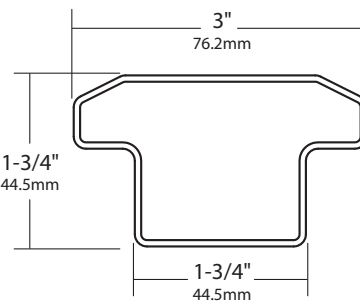
DOCUMENT TITLE:		6' Level Vinyl Rail Kit w/Square Balusters (36" Rail Height)	
This drawing is the property of Tuscan Manufacturing. Any hard copy of this drawing may not be current.			
LANDMARKE			
P.O. Box 37 Mount Joy, Pa 17552			
UOM	REF#	REV	
inch/mm	400625 & 400626		
SCALE	SHEET#	DRAWN BY	DATE
	1 of 1	AH	2/9/10



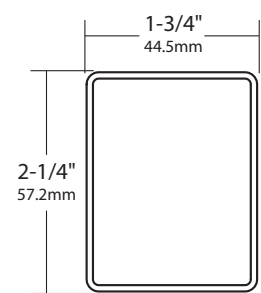
Top Rail Bracket Cover



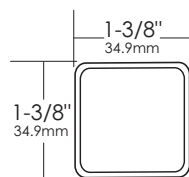
Top Rail Cutaway



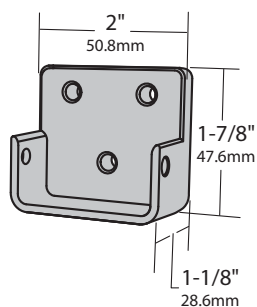
Bottom Rail Cutaway



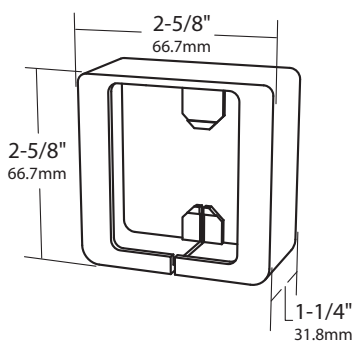
1-3/8" x 1-3/8" x 38-1/2"
34.9mm 34.9mm 977.9mm
Turned Baluster



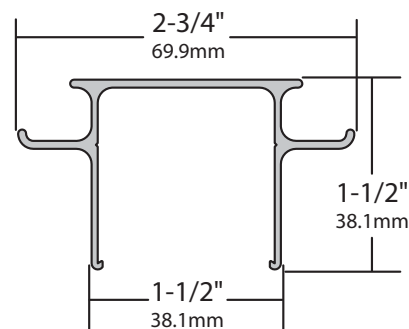
Die Cast Mounting Bracket
(Same Bracket for Both Top & Bottom Rail)



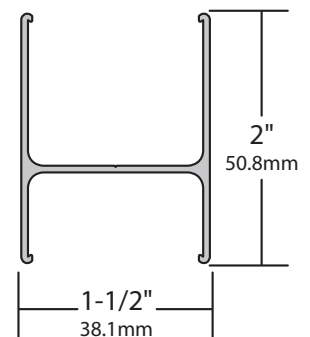
Bottom Rail Bracket Cover



Top Rail Aluminum Insert



Bottom Rail Aluminum Insert



Dimensions and tolerances contained on drawings and figures are for reference only and may not encompass total allowable and approved dimensional variations.

DOCUMENT TITLE: 8' Level Vinyl Rail Kit w/Turned Balusters (42" Rail Height)			
This drawing is the property of Tuscan Manufacturing. Any hard copy of this drawing may not be current. This document and or images contained within may not be reproduced in publication format without express written consent of Tuscan Manufacturing. Drawings may not be to scale.			
LANDMARKE			
P.O. Box 37 Mount Joy, Pa 17552			
UOM inch/mm	REF# 400604 & 400605	REV	
SCALE	SHEET# 1 of 1	DRAWN BY AH	DATE 2/22/10