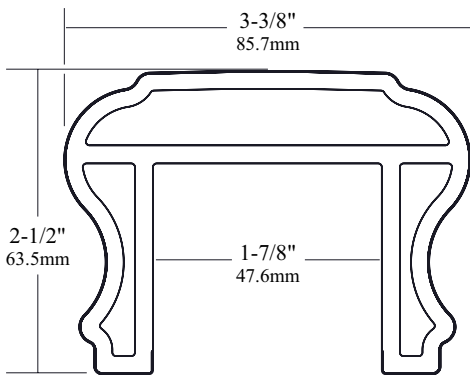


Top Rail Profile



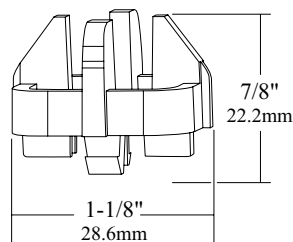
30" Balusters (36" Rail Height)

"A" - 34-1/8" 866.8mm
 "B" - 29-1/2" 749.3mm

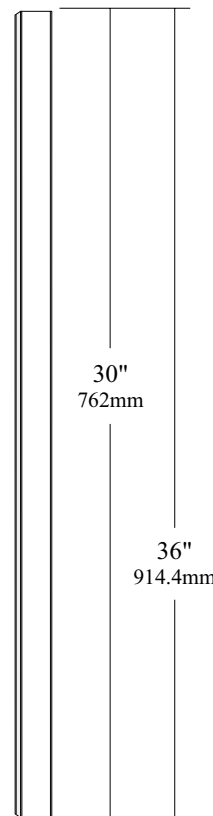
36" Balusters (42" Rail Height)

"A" - 40-1/8" 1019.2mm
 "B" - 35-1/2" 901.7mm

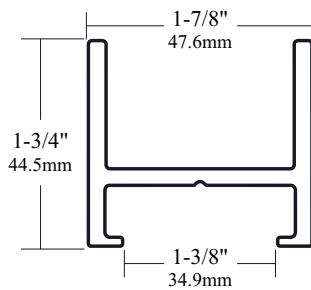
Baluster Connector Clip
 (Material - PVC)



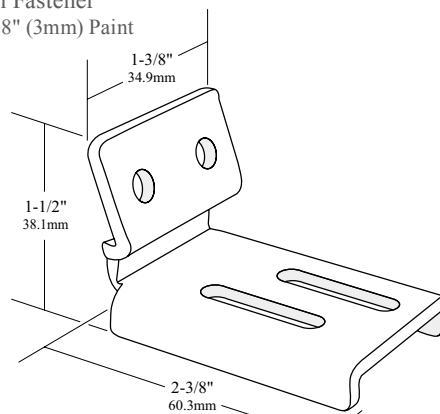
1-1/4" x 1-1/4"
 Composite Baluster



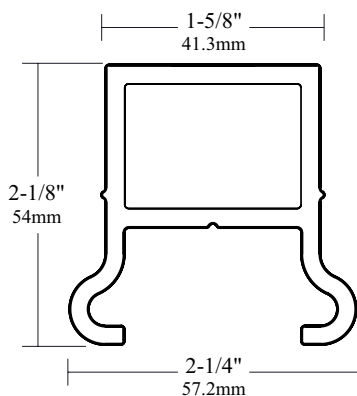
Baluster Retainer



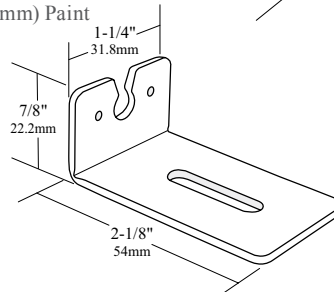
Top Rail Fastener
 (SS 304) - .188" (3mm) Paint



Bottom Rail Profile



Bottom Rail Fastener
 (SS 304) - .188" (3mm) Paint



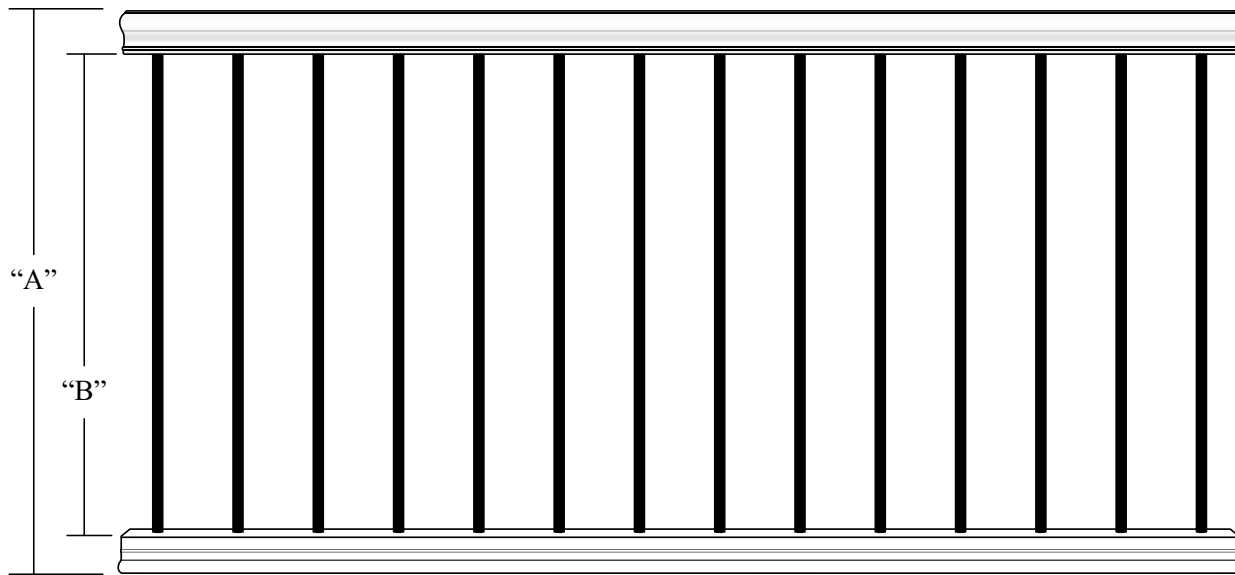
DOCUMENT TITLE: Composite Baluster Composite Railing Kit

This drawing is the property of Fairway Vinyl Systems. Any hard copy of this drawing may not be current. This document and/or images contained within may not be reproduced in publication format without express written consent of Fairway Vinyl Systems. Drawings may not be to scale.

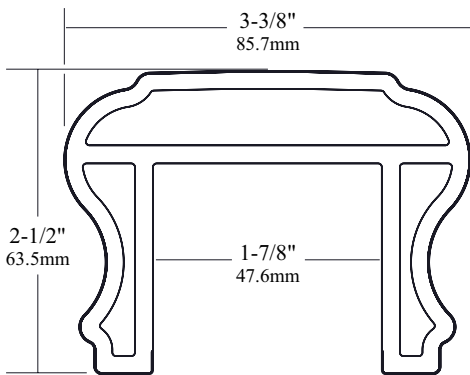
FX2 COMPOSITE RAILING

UOM inch/mm	REF#	REV v1.0
SCALE	SHEET# 1 of 1	DRAWN BY AJH
		DATE 1/21/10

Dimensions and tolerances contained on drawings and figures are for reference only and may not encompass total allowable and approved dimensional variations.



Top Rail Profile



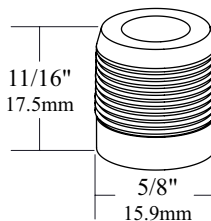
32" Balusters (36" Rail Height)

"A" - 36-1/8" 917.6mm
 "B" - 31-1/2" 800.1mm

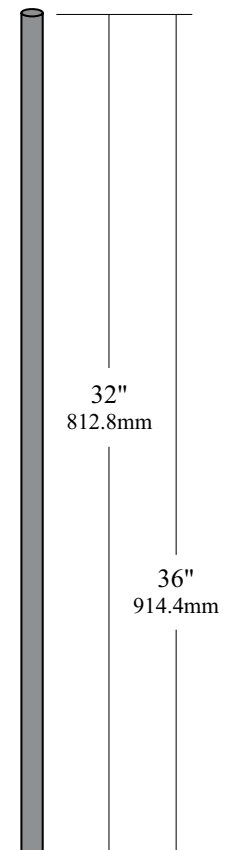
36" Balusters (42" Rail Height)

"A" - 40-1/8" 1019.2mm
 "B" - 35-1/2" 901.7mm

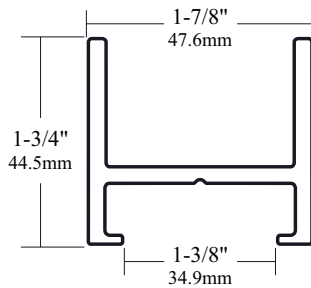
Aluminum Baluster Connector
 (Material - PVC)



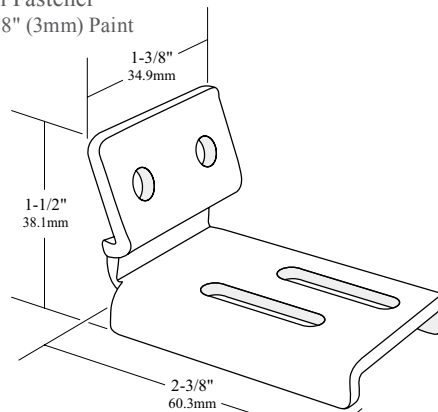
3/4" Aluminum Baluster



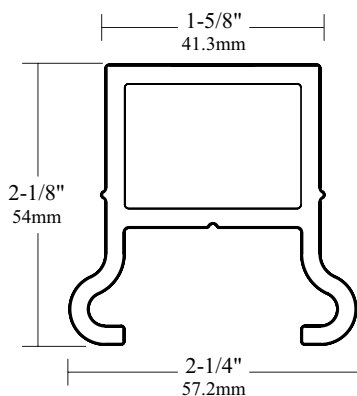
Baluster Retainer



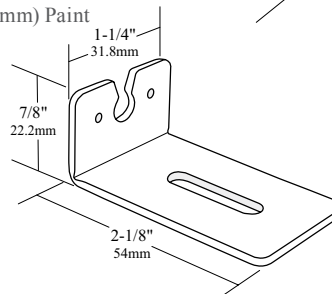
Top Rail Fastener
 (SS 304) - .188" (3mm) Paint



Bottom Rail Profile

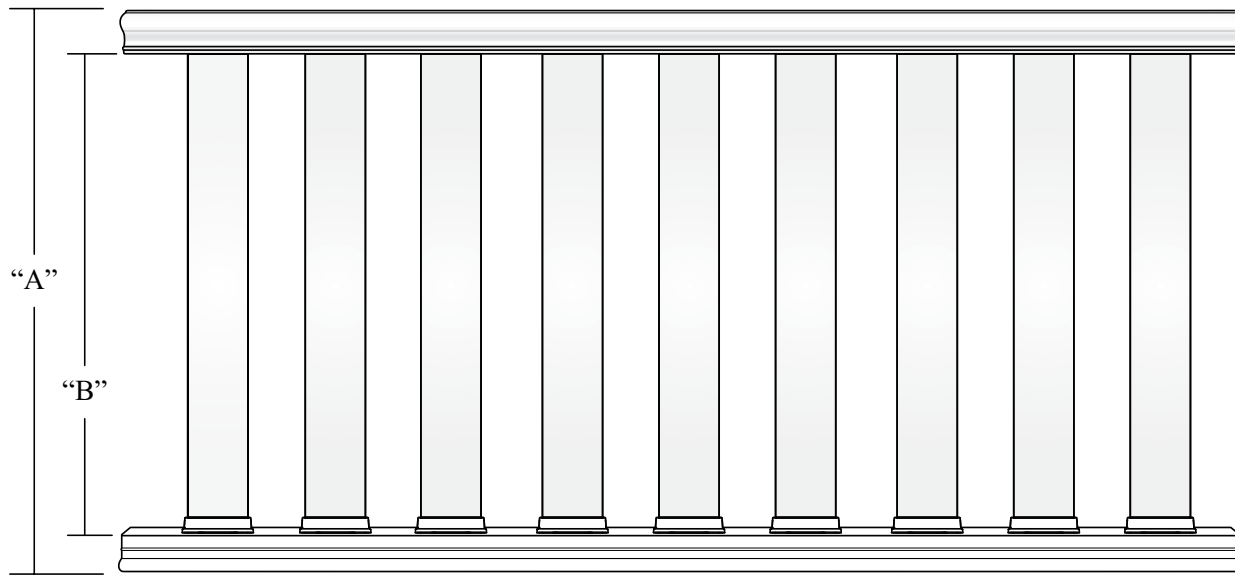


Bottom Rail Fastener
 (SS 304) - .188" (3mm) Paint

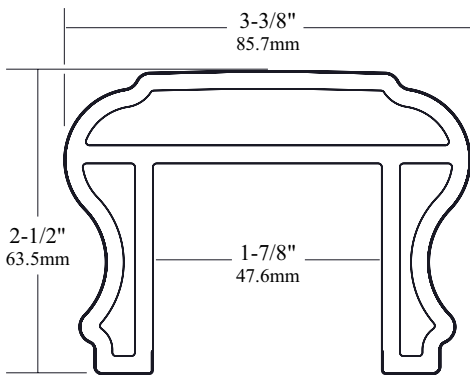


DOCUMENT TITLE:		Aluminum Baluster Composite Railing Kit		
<i>This drawing is the property of Fairway Vinyl Systems. Any hard copy of this drawing may not be current. This document and/or images contained within may not be reproduced in publication format without express written consent of Fairway Vinyl Systems. Drawings may not be to scale.</i>				
FX2 COMPOSITE RAILING		UOM inch/mm	REF#	REV v1.0
SCALE	SHEET# 1 of 1	DRAWN BY AJH	DATE 1/21/10	

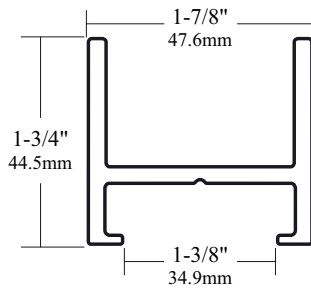
Dimensions and tolerances contained on drawings and figures are for reference only and may not encompass total allowable and approved dimensional variations.



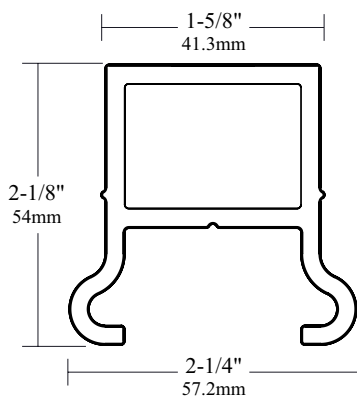
Top Rail Profile



Baluster Retainer



Bottom Rail Profile



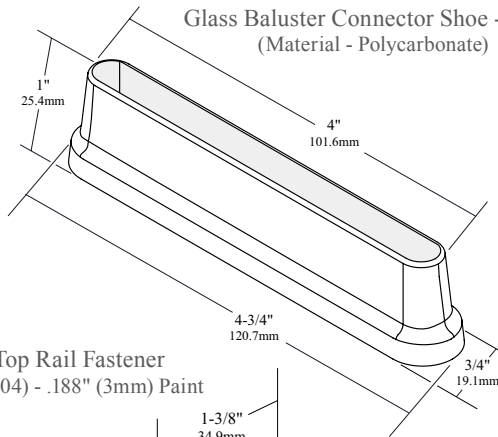
32" Balusters (36" Rail Height)

"A" - 36-7/8" 936.6mm
 "B" - 32-1/4" 819.2mm

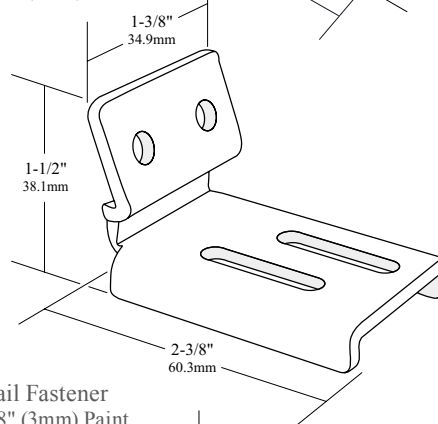
36" Balusters (42" Rail Height)

"A" - 42-7/8" 1089mm
 "B" - 37-1/2" 952.5mm

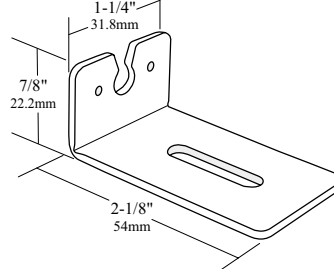
Glass Baluster Connector Shoe - Level
 (Material - Polycarbonate)



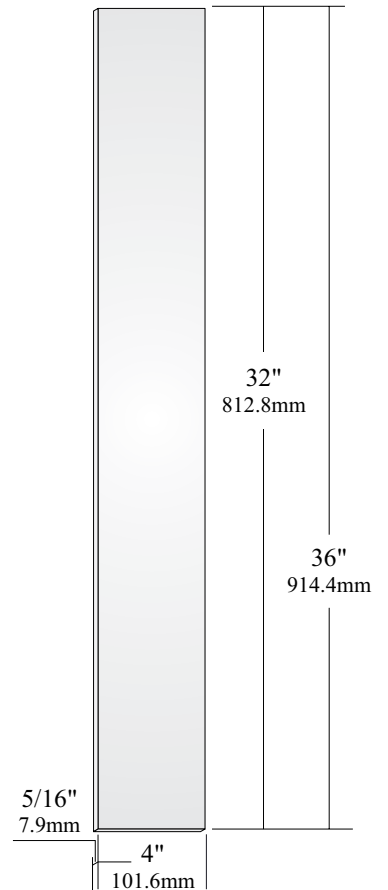
Top Rail Fastener
 (SS 304) - .188" (3mm) Paint



Bottom Rail Fastener
 (SS 304) - .188" (3mm) Paint



Glass Baluster



DOCUMENT TITLE:		Glass Baluster Composite Railing Kit			
This drawing is the property of Fairway Vinyl Systems. Any hard copy of this drawing may not be current. This document and/or images contained within may not be reproduced in publication format without express written consent of Fairway Vinyl Systems. Drawings may not be to scale.					
FX2 COMPOSITE RAILING		UOM	REF#	REV	v1.0
SCALE	SHEET#	1 of 1	DRAWN BY	DATE	1/21/10
			AJH		

Dimensions and tolerances contained on drawings and figures are for reference only and may not encompass total allowable and approved dimensional variations.