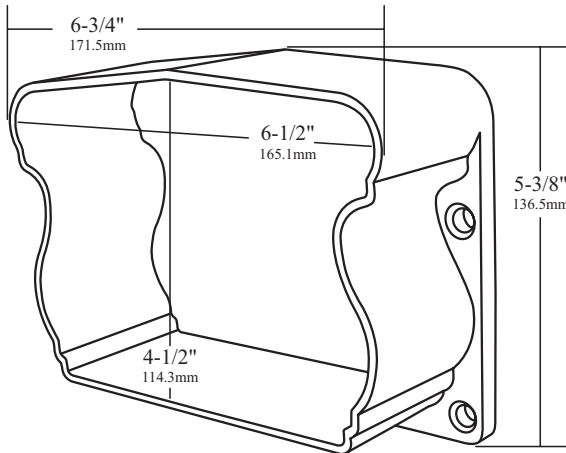
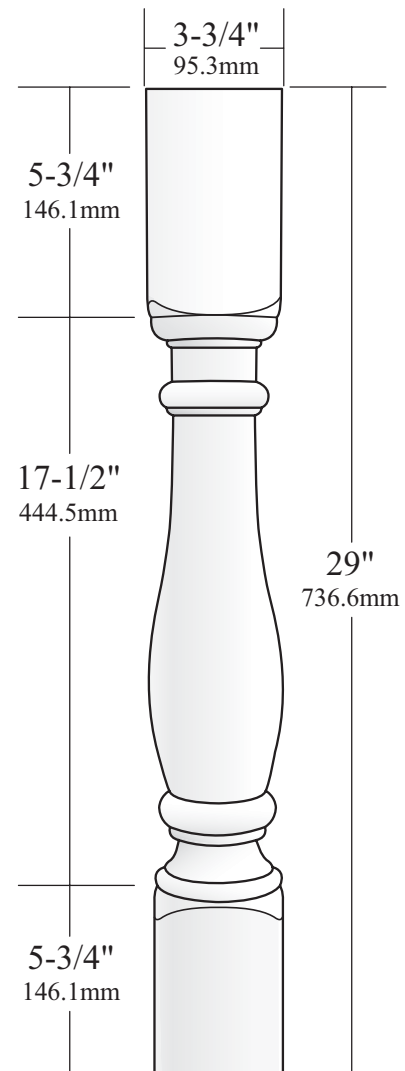


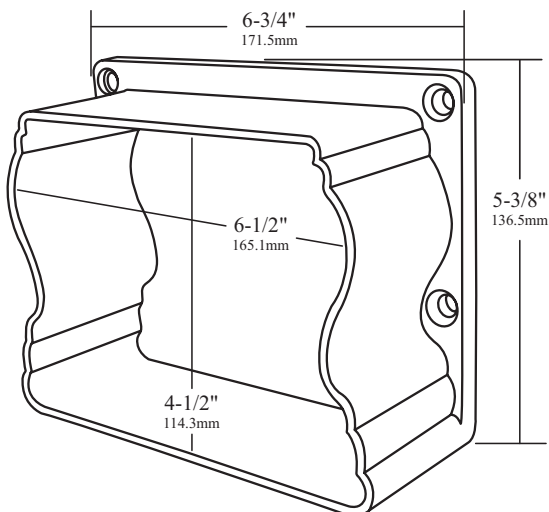
Masters Top Rail Level Bracket



29" Masters Turned Balusters

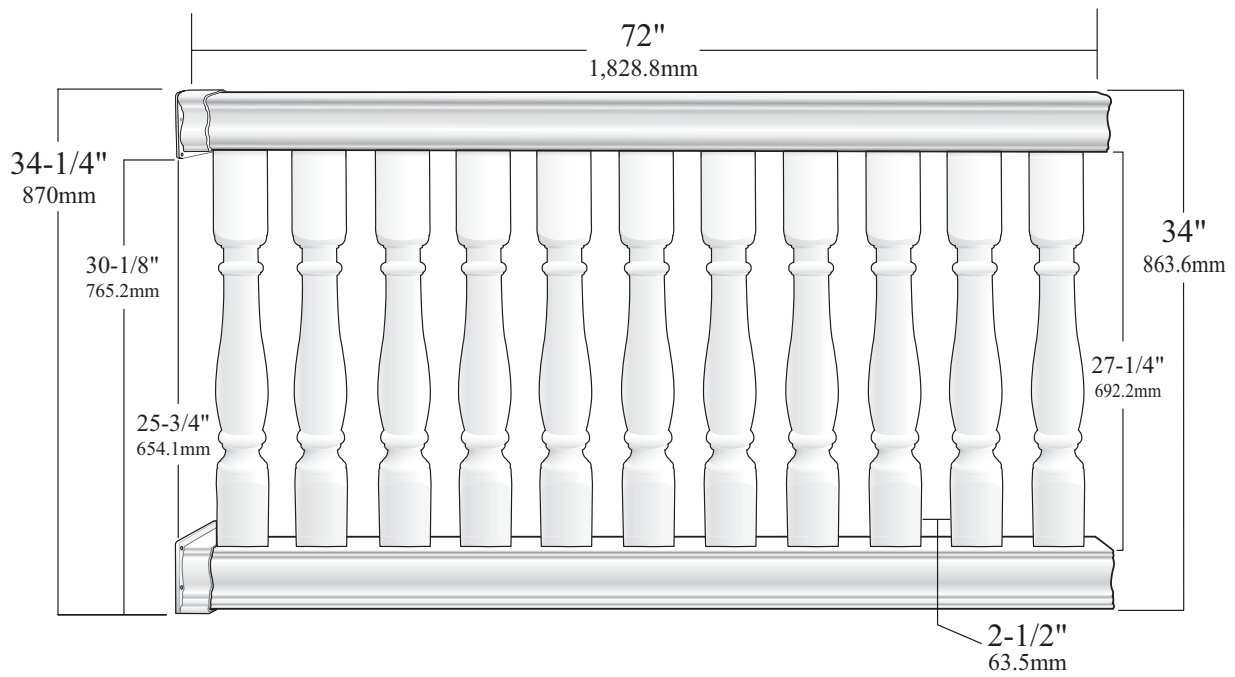


Masters Bottom Rail Level Bracket

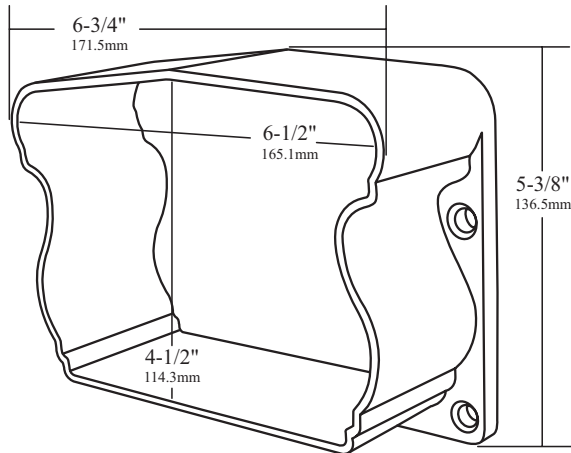


DOCUMENT TITLE:				4' Masters Level Rail System - 36" Height			
This drawing is the property of Fairway Vinyl Systems. Any hard copy of this drawing may not be current. This document and or images contained within may not be reproduced in publication format without express written consent of Fairway Vinyl Systems. Drawings may not be to scale.				FAIRWAY VINYL SYSTEMS			
P.O. Box 37 Mount Joy, Pa 17552				REF# VSMA 400440 P1			
SCALE:	SHEET#	DRAWN BY:	DATE:	REV	1		7-17-08
	1 of 1	EVS					

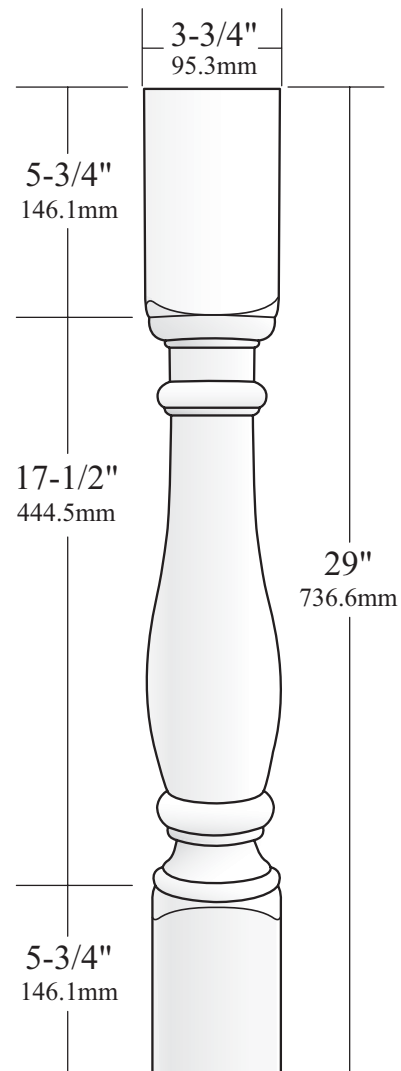
Dimensions and tolerances contained on drawings and figures are for reference only and may not encompass total allowable and approved dimensional variations.



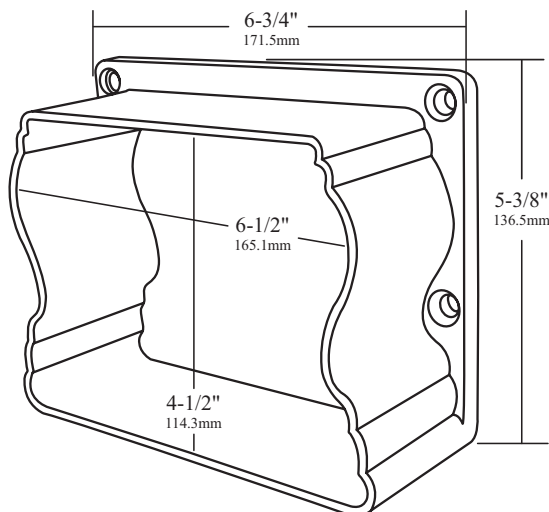
Masters Top Rail Level Bracket



29\"/>

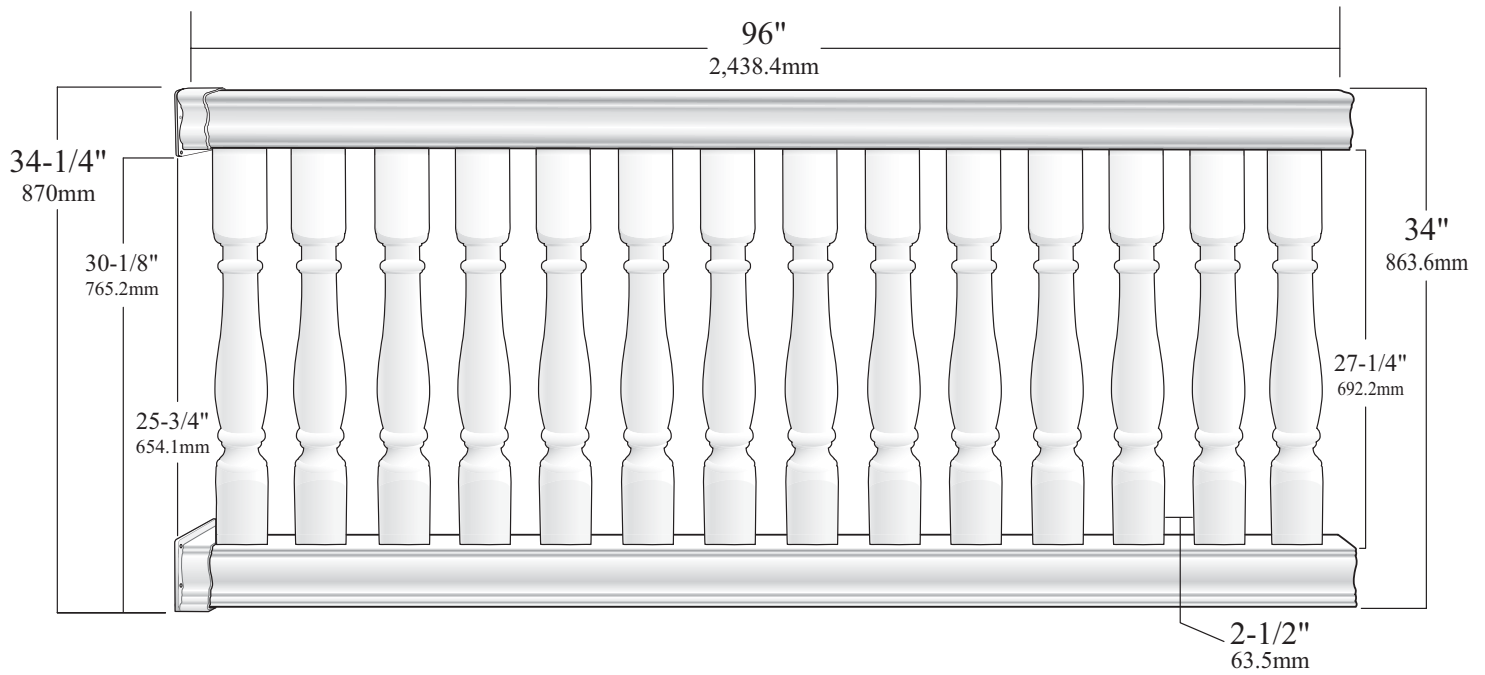


Masters Bottom Rail Level Bracket

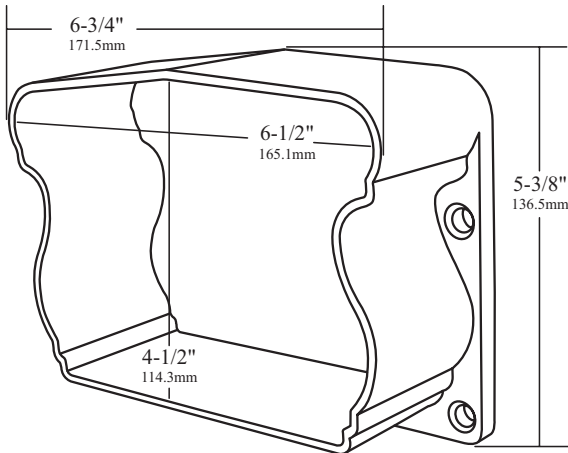


DOCUMENT TITLE:				6' Masters Level Rail System - 36" Height			
This drawing is the property of Fairway Vinyl Systems. Any hard copy of this drawing may not be current. This document and or images contained within may not be reproduced in publication format without express written consent of Fairway Vinyl Systems. Drawings may not be to scale.				FAIRWAY VINYL SYSTEMS			
P.O. Box 37 Mount Joy, Pa 17552				UOM	REF#	VSM	REV
				inches	VSMA 400442 P1		1
SCALE	SHEET#	DRAWN BY	DATE				
1 of 1	EVS		7-17-08				

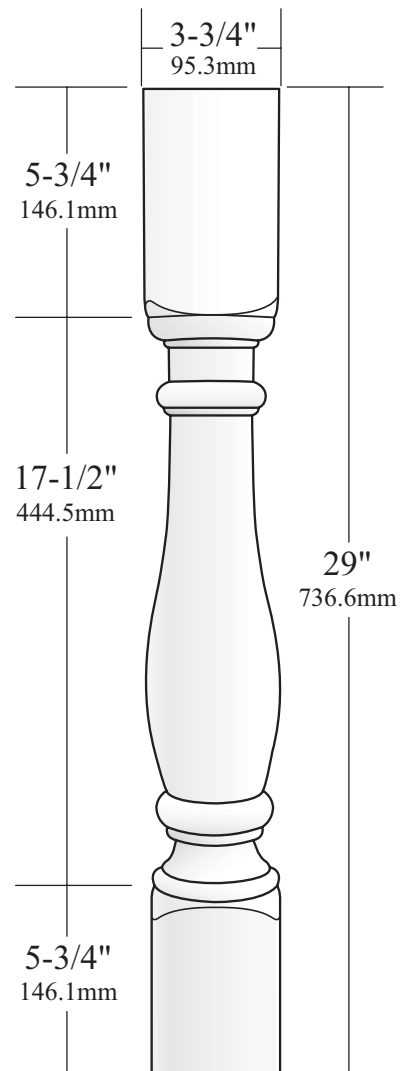
Dimensions and tolerances contained on drawings and figures are for reference only and may not encompass total allowable and approved dimensional variations.



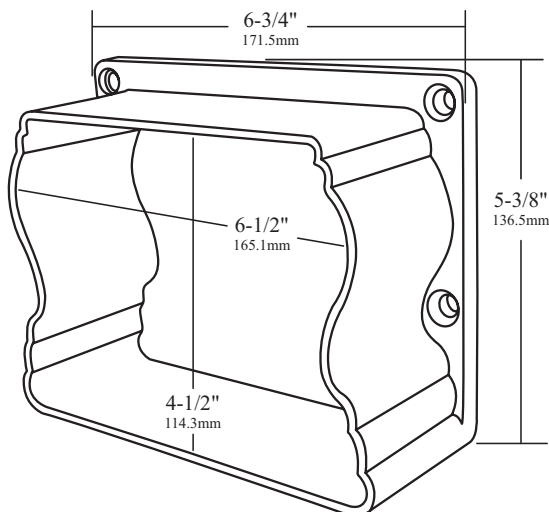
Masters Top Rail Level Bracket



29" Masters Turned Balusters



Masters Bottom Rail Level Bracket



DOCUMENT TITLE:		8' Masters Level Rail System - 36" Height			
This drawing is the property of Fairway Vinyl Systems. Any hard copy of this drawing may not be current. This document and/or images contained within may not be reproduced in publication format without express written consent of Fairway Vinyl Systems. Drawings may not be to scale.					
FAIRWAY VINYL SYSTEMS					
P.O. Box 37 Mount Joy, Pa 17552					
UCM inch/mm	REF#	VSMA 400444 P1		REV	1
SCALE:	SHEET#	1 of 1	DRAWN BY:	DATE:	7-17-08
			FVS		

Dimensions and tolerances contained on drawings and figures are for reference only and may not encompass total allowable and approved dimensional variations.