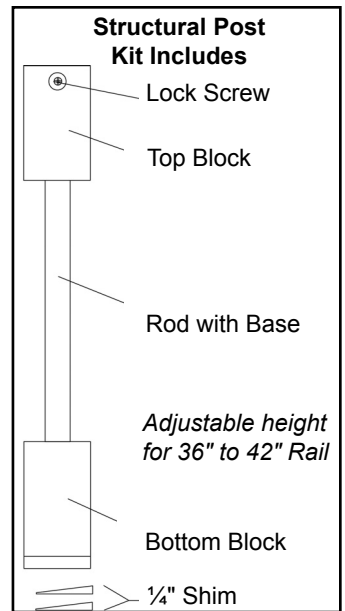


Structural Post Installation Instructions

! It is the responsibility of the installer to meet or exceed all code and safety requirements, and to obtain all required building permits. These instructions are only a guide and may not address every circumstance. The deck and railing installer should determine and implement appropriate installation techniques for each situation.
The manufacturer shall not be held liable for improper or unsafe installations.



Step 1 Safety Precautions

- Review all local building codes.
- Wear proper safety equipment.

Step 2 Mounting Surface Preparation

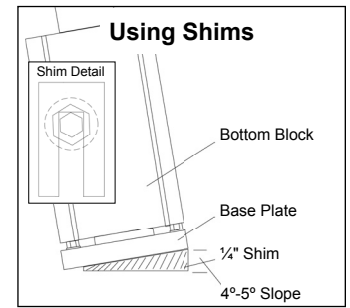
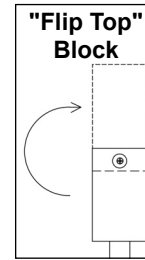
- Determine placement of post on deck surface.
- Set post in place and mark mounting holes.

Step 3 Mount Post

- NOTE: (See illustrations on back for Mounting Options.)** Mount post to deck surface using one of the options and suggested mounting hardware listed in Mounting Options. **NOTE:** Installer must determine the proper mounting hardware (not included).
- With Post secured to deck surface, check post with a level. If the post needs to be adjusted for plumb, loosen mounting bolts and adjust with included 1/4" shims. (See Using Shims) **NOTE:** Included shims allow approximately 4-5° maximum plumb correction.

Step 4 Adjusting Top Block Height (optional)

When using 42" high railing, it is necessary to adjust top block height. To adjust height, remove lock screw, remove and rotate block, reinstall block, then reinstall lock screw.
(See Adjusting Top Block Height on back)
NOTE: Make certain screw is tight on top block.

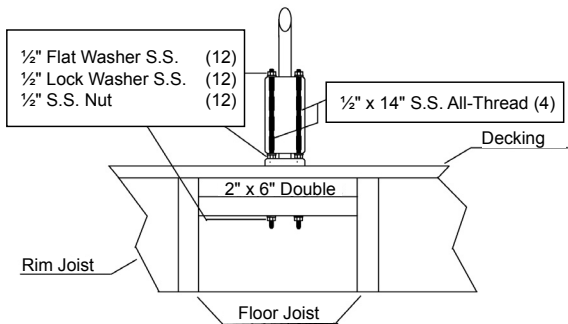


Step 5 Cleanup

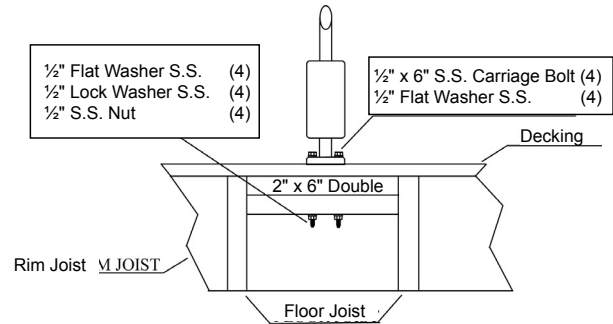
Your job is complete. Install your Post Sleeve and Railing.

Wood Surfaces

All-Thread Bolts

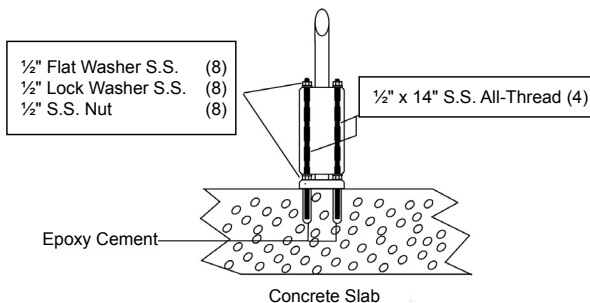


Carriage Bolts

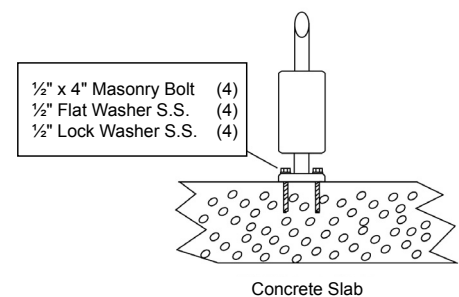


Concrete Surfaces

All-Thread Bolts



Masonry Bolts



Leveling Structural Post Installation Instructions

It is the responsibility of the installer to meet or exceed all code and safety requirements, and to obtain all required building permits. These instructions are only a guide and may not address every circumstance. The deck and railing installer should determine and implement appropriate installation techniques for each situation.

The manufacturer shall not be held liable for improper or unsafe installations.

Step 1 Safety Precautions

Review all local building codes.
Wear proper safety equipment.

Step 2 Lay out Post and set Leveling Base in place. With Leveling Base in place, mark holes located at four (4) corners of base on Mounting Surface. Drill proper size holes in Mounting Surface.
NOTE: You will need to use a 3/8" Mounting Bolt. See Manufacturer's specs for hole size.
(MOUNTING BOLTS NOT SUPPLIED)

Step 3 With Mounting holes drilled and surface prepped for mounting bolts (see Manufacturer's specs), slide bottom block up on Structural Post Rod to allow access to hole drilled in rod. Attach Leveling Base to Structural Post by inserting the 3/8" - 16 x 2 1/4" bolt (A) through hole located at the bottom of Structural Post rod. Insert bolt far enough to allow access to mounting bolts.

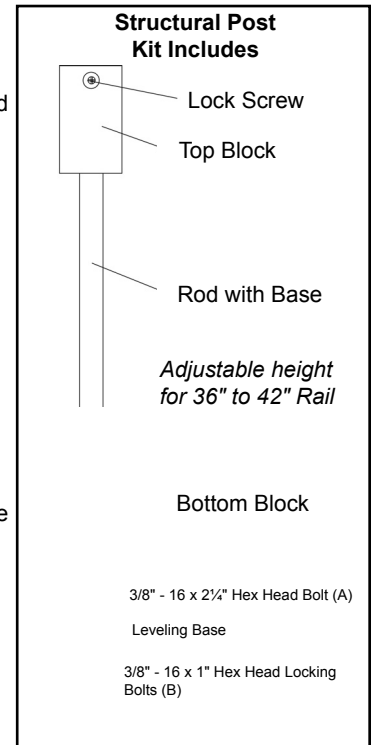
Step 4 Set Structural Post with Leveling Base attached in place and install four (4) mounting bolts. Run the mounting bolts in until they come in contact with the Structural Post Flange.

Step 5 With Post in place, put a level on one side of the Structural Post Rod and tighten mounting bolts, working from opposite sides. Next, move the level 90° and repeat the process until the post is plumb in both directions.

Step 6 With post plumb, tap in place the 3/8" - 16 x 2 1/4" bolt (A) and tighten lock nut. Next, install the four (4) 3/8" - 16 x 1" locking bolts (B) into the holes on the Structural Post Flange (between mounting holes) and tighten against Leveling Base to lock post in place. Slide Bottom Block into place.

Adjusting Top Block Height (for 42" high railing)

When using 42" high railing, it is necessary to adjust top block height. To adjust height, remove lock screw, remove and rotate block, reinstall block, then reinstall lock screw. (See illustrations for adjusting top block height) MAKE CERTAIN SCREW IS TIGHT ON TOP BLOCK.



Step 2

Step 3

Adjusting Top Block Height

Remove Lock Screw

Rotate Top Block

Reinstall Lock Screw

Step 3 & 4

3/8" - 16 x 1" Hex Head Locking Bolts

Insert 3/8" - 16 x 2 1/4" Bolt Through Structural Post and Leveling Base

Mounting Holes

3/8" Mounting Bolts (Not Supplied)

Step 5 & 6