

Top, Mid and Bottom Rail Mounting Bracket

Installation Guide for Fence Brackets

! It is the responsibility of the installer to meet or exceed all code and safety requirements, and to obtain all required building permits. These instructions are only a guide and may not address every circumstance. The deck and railing installer should determine and implement appropriate installation techniques for each situation.

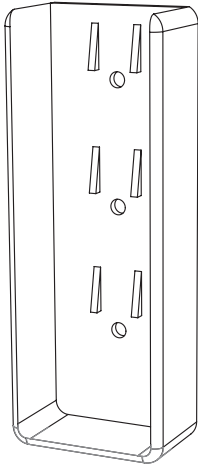
FAIRWAY Vinyl Systems shall not be held liable for improper or unsafe installations.



www.fairwayvinyl.com

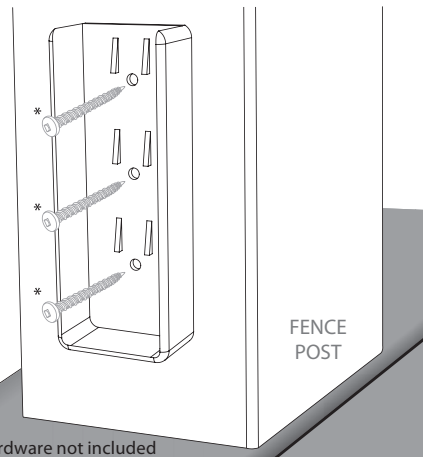
BOTTOM RAIL (All Fence Designs) • TOP RAIL (Picket Fence Designs Only)

a: Rail Mount Bracket



b: Install Rail Mount Bracket

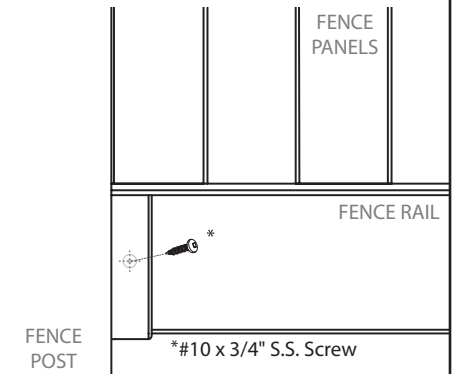
Mount Bracket to post or mounting surface.



*Hardware not included

c: Install Bottom Fence Rail

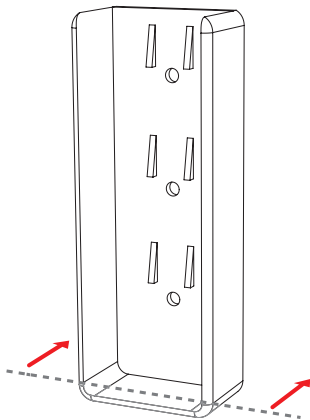
Insert bottom rail into brackets. Pre-drill and insert one #10 x 3/4" S.S. Screw (Not Supplied). (Repeat for Top Rail - Picket Fence Designs Only)



MID-RAIL (Where Applicable)

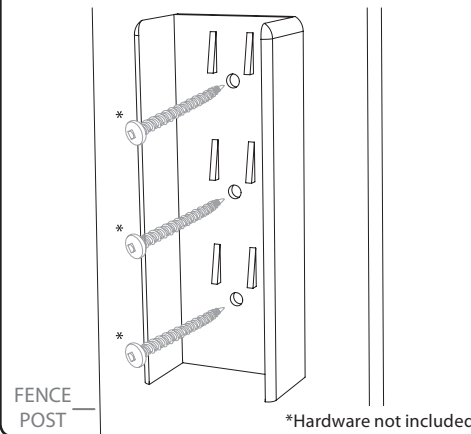
a: Modify Mount Bracket

Remove bottom of Bracket using a fine tooth saw blade.



b: Install Rail Mount Bracket

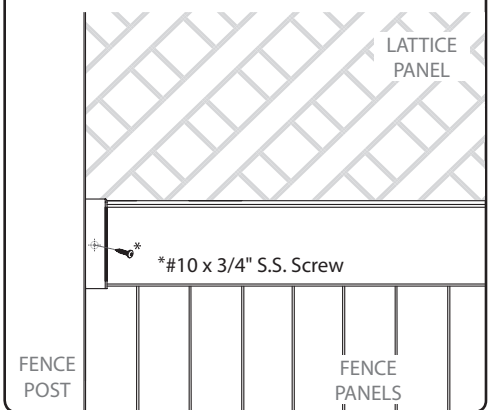
Mount modified Bracket to post or mounting surface (cut side down).



*Hardware not included

c: Install Fence Rails

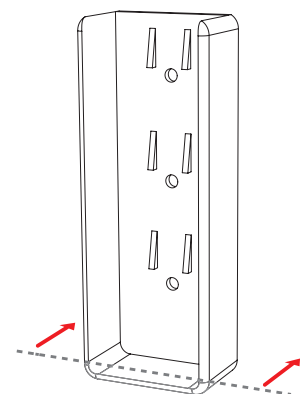
Insert fence mid-rail into modified brackets. Pre-drill and insert one #10 x 3/4" S.S. Screw. (Not Supplied)



PRIVACY STYLE FENCE TOP RAIL

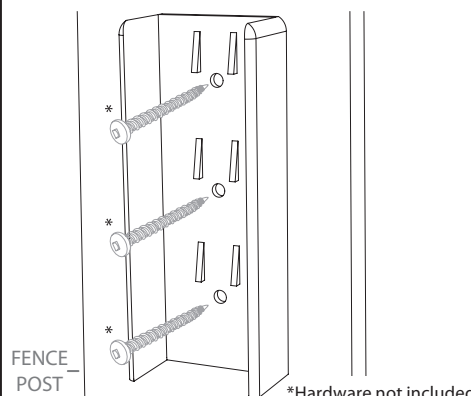
a: Modify Mount Bracket

Remove bottom of Bracket using a fine tooth saw blade.



b: Install Rail Mount Bracket

Mount modified Bracket to post or mounting surface (cut side down).



*Hardware not included

c: Install Fence Rails

Insert top fence rail into modified brackets. Pre-drill and insert one #10 x 3/4" S.S. Screw. (Not Supplied)

