

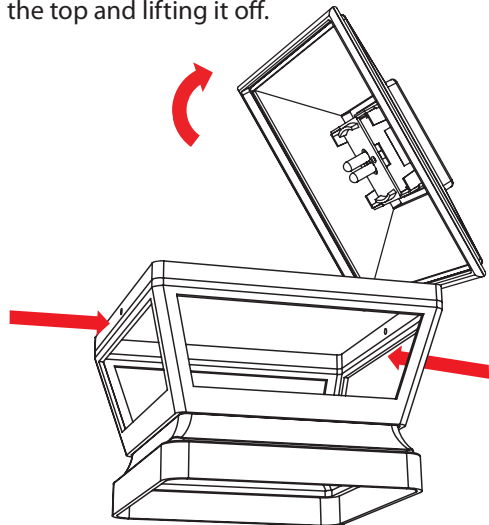
Carriage Light Solar Post Cap Installation

! It is the responsibility of the installer to meet or exceed all code and safety requirements, and to obtain all required building permits. These instructions are only a guide and may not address every circumstance. The deck and railing installer should determine and implement appropriate installation techniques for each situation. **FAIRWAY Vinyl Systems shall not be held liable for improper or unsafe installations.**

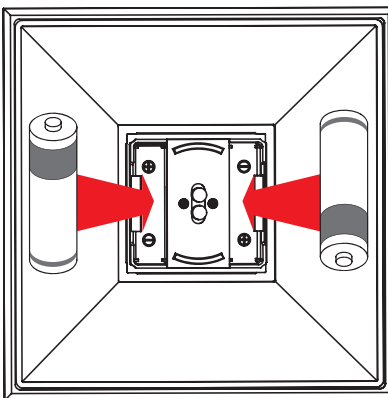
Carriage Light Solar Post Cap Activation

v1.0

Remove top by pressing inward on the side of the housing, grasping the edge of the top and lifting it off.

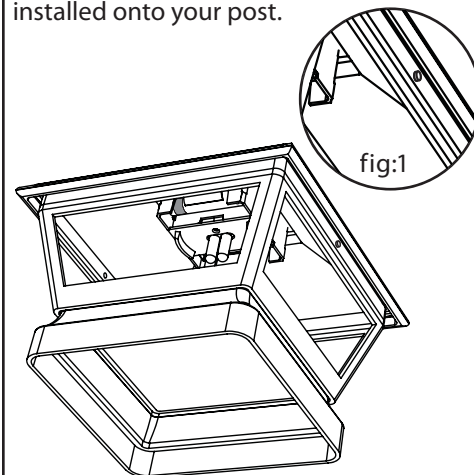


Install the batteries. Your solar post cap will need 24 - 48 hours of collective sunlight before reaching full charge.



Carriage Light Solar Post Caps come with 2 Basic - AA nickel-cadmium rechargeable batteries. Premium rechargeable batteries may be desired. Batteries must be recycled or disposed of properly.

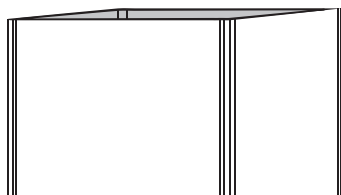
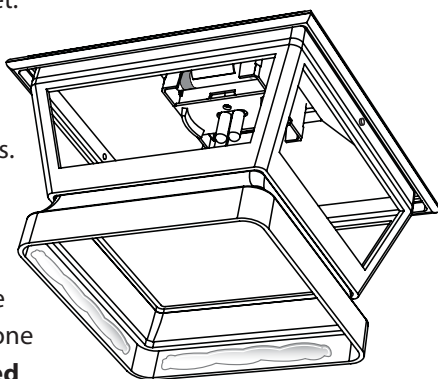
Replace top by snapping it onto side panels. (Ensure the holes in the sides are matched up with the stubs on the top, fig:1) Your solar post cap is now ready to be installed onto your post.



Attach Carriage Light Solar Post Cap To Post

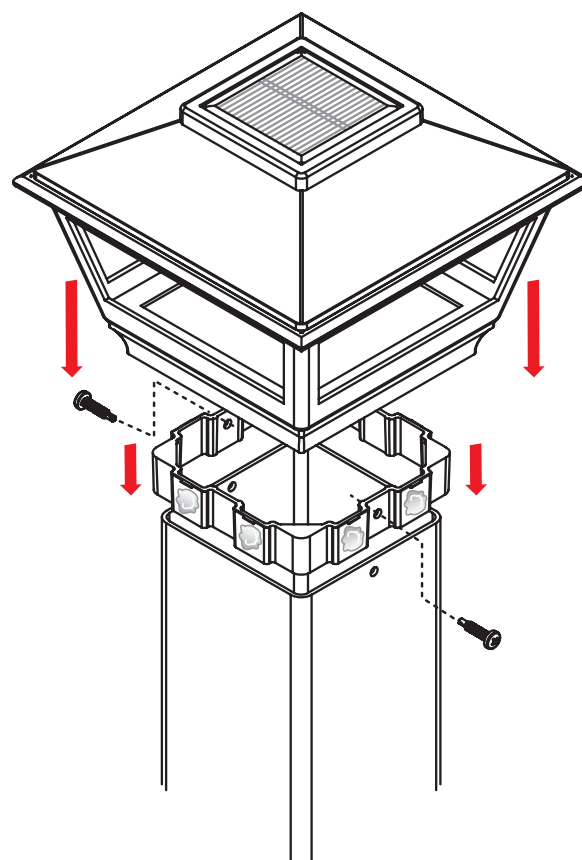
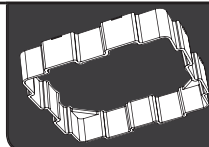
Apply clear silicone or pvc adhesive to the inside surfaces of post cap where cap will contact post. Place post cap firmly on post and allow adhesive to set.

Note: Included with each of our solar post caps are LED light bulbs and rechargeable batteries. With a normal usage of 6 to 8 hours per day, our LED light bulbs will have an average life of 10 years. The rechargeable batteries will last an average of one year. **Batteries must be replaced with rechargeable batteries. Using regular batteries in the sun will destroy the solar collector in the post cap.**



4" to 3-1/2" Post Adapter

Screw adapter to 3-1/2" post with supplied hardware. Apply PVC glue or clear silicone to the underside of the post cap before placing the cap firmly on the installed post adapter. 4" Carriage Light Post Cap will snap onto adapter.



If your solar light is not working, check the following:

- Are the batteries making contact in the circuit?
- Are the batteries installed in the proper direction?
- Do the batteries need to be replaced or upgraded to premium rechargeable batteries?
- Has the solar post cap been fully charged?

If your solar light still does not work after these steps, contact your Fairway representative.